



Solar HVAC 230V | Model "Z" 4-Ton Condensing Unit

Part Number

SHRDZ- 480*00A000 - **

Unit Type

D - Cooling Only

Voltage (*)

G - 230 VAC 1Φ
H - 230 VAC 3Φ

Options (**)

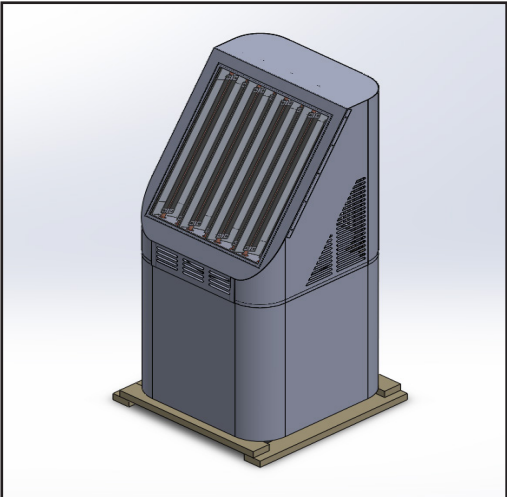
0 - No Options
D - Condenser Coil Coating (UG)
Y - Start Up
7 - Phase Monitor

Description

A Solar HVAC Residential Unit is more than twice as efficient as a standard residential split unit.

A solar box equipped with chambers lined with specialty reflective film is mounted to the top of the condensing unit. Through a patented process, ambient light is converted to thermal energy which reduces the energy demand on the compressor.

Units come with a 1-year parts warranty and 10 year compressor warranty.





Dimensions

SHRDZ-48 | Solar HVAC Model "Z" Residential Condenser Dimensions

Model		SHRDZ-48 (4 Ton)	
Code	Outdoor Code		
Outdoor Power Supply	V/Hz		208-230V/60Hz
Cooling	Capacity	Btu/h	47000
		W	4692
	EER	Btu/h, W	11.6
	SEER		17.5
Compressor	Type		Twin-rotary DC
Outdoor Dimension	Packing (WxHxD)	Inch	32-5/8 x 32-5/8 x 79-5/8

(Outdoor Unit) Model		SHRDZ-48 (4 Ton)	
Outdoor Weight	Net - Lbs (kg)		301 (137)
	*Gross - Lbs (kg)		306 (139)
Electrical Data 208/230 1Φ	Minimum Circuit Ampacity		31.9 A
	Max. Overcurrent Protection		50 A
Electrical Data 208/230 3Φ	Minimum Circuit Ampacity		18.43 A
	Max. Overcurrent Protection		20 A
Outdoor Noise Level (dB(A))			79
Operation Temperatures (°F)			5 - 118

Note:

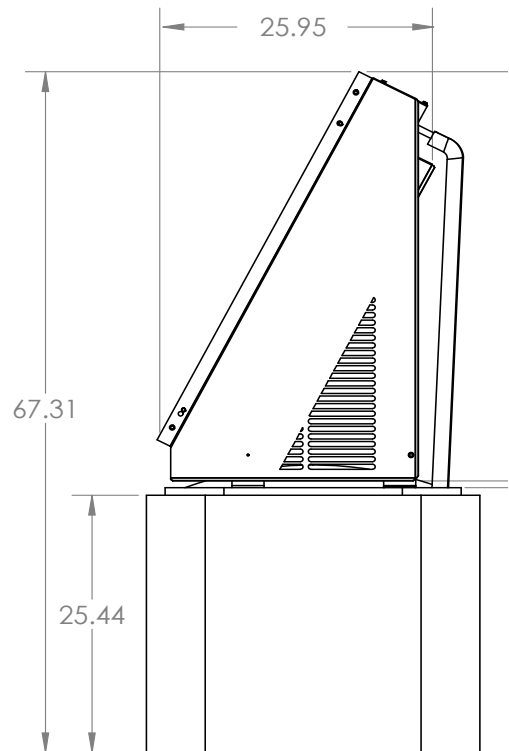
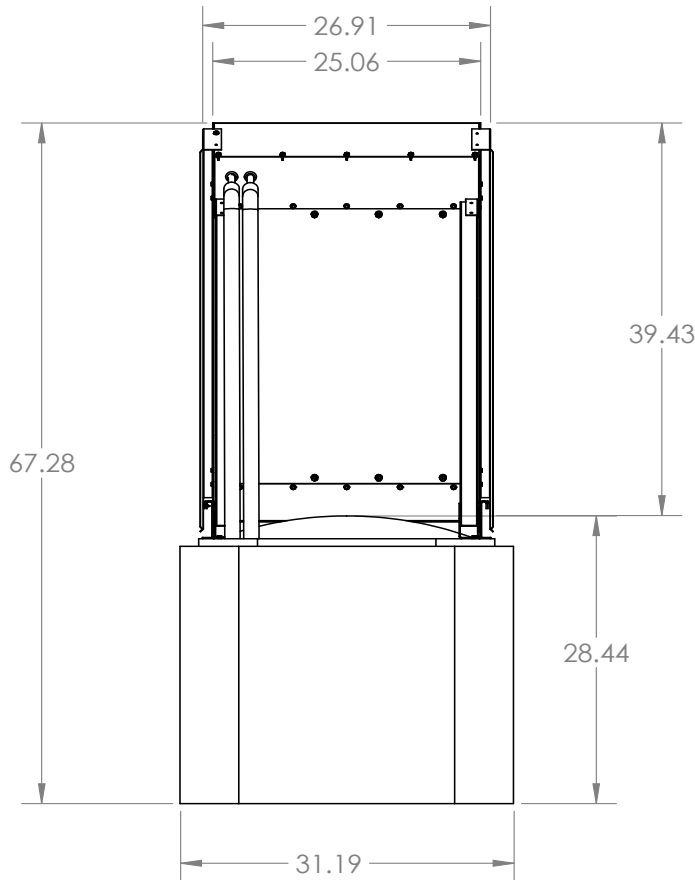
Unit should be UL 1995 listed

Unit should be OG-100 Certified to the Solar certification on ICC901/SRCC100

Note:

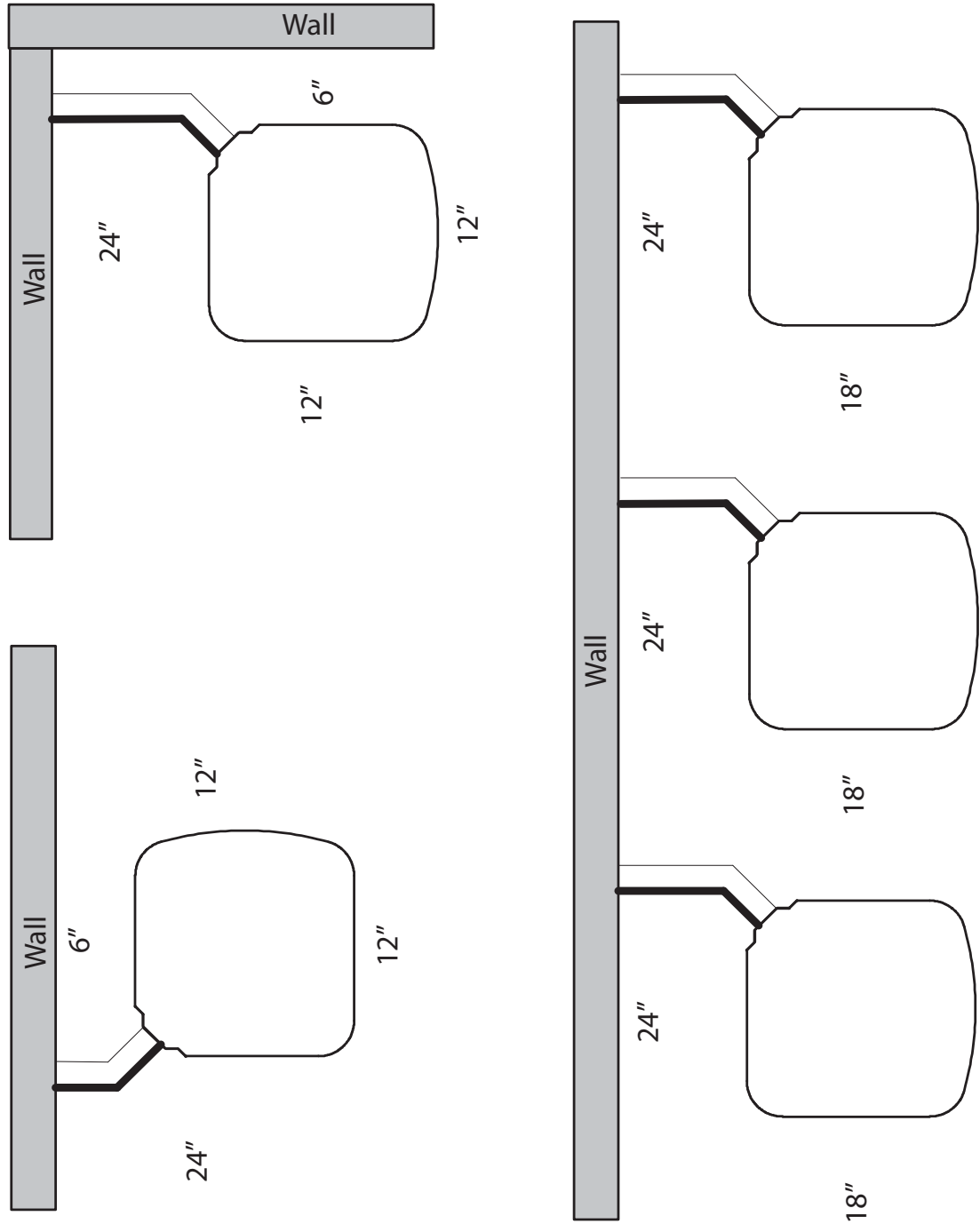
Face solar panels south for optimal performance.

* Gross = Net Weight + Shipping Box



SHRDZ-48 | Solar HVAC Model "Z" Residential Condenser Clearances

SHR*-** Clearances | v 2.00 | 05/20/22



* - Unit Type (Cooling Only (D) or Heat Pump (P))

** - BTU's - x 1000 (24, 36, 48, 60)