



Solar HVAC 230V | Model "Z" 4-Ton FV4C Residential Unit

Part Number

SHRPZ- 48 L 5 67 8 910 11 - F*

| Unit Type | BTU's | Fan | Voltage (5) | Electric Heat (6,7) | Heat Stages (8) |
|---------------|-------------------|---------------------|---------------------------------|---|--|
| P - Heat Pump | 48 - 48,000 BTU's | L - Low/Std. Static | G - 230 VAC 1Φ H - 230VAC 3Φ | 00 - No Heat *05 - 5 kW *10 - 10 kW | A - No Controls *B - 1 Stage *M - Modulating |

| Disconnect (9,10) |
|--|
| 00 - No Disconnect 01 - 240V - 30A Fuse 11 - 240V - 30A Switch |

| Configuration (11) |
|--|
| 0 - Condenser Only *A - Down Supply / Down Return *D - Horizontal Supply / Horizontal Return |

| Options (12) |
|--|
| 0 - No Options *B - Whole Unit (UG) *C - All Coils (UG) D - Condenser Coil (UG) F - FV4C AHU *K - DW w/ Poly Insulation *N - Dirty Filter Switch Y - Start Up *3 - Condensate Flow Switch 7 - Phase Monitor *8 - Ionization Installed in AHU |

* - Only available when F - FV4C AHU selected in Options (12)

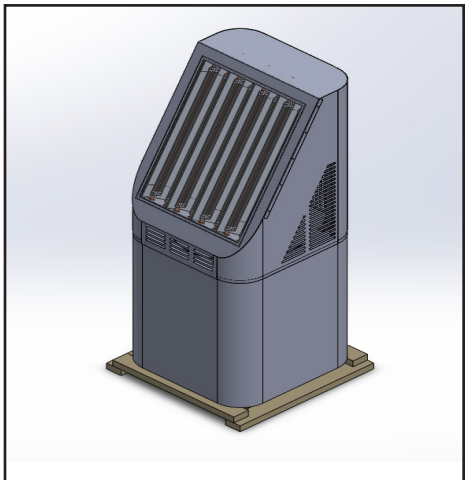
Description

A Solar HVAC Residential Unit is more than twice as efficient as a standard residential split unit.

A solar box equipped with chambers lined with specialty reflective film is mounted to the top of the condensing unit. Through a patented process, ambient light is converted to thermal energy which reduces the energy demand on the compressor.

The highest efficiency condensing unit (made with the patented solar HVAC system) is paired with an FV4C air handling unit that comes equipped with a standard 1" pleated filter.

Units come with a 1-year parts warranty and 10 year compressor warranty.





Dimensions

SHRPZ-48 | Solar HVAC Model "Z" Residential Condenser Dimensions

| Model | | SHRPZ-48 (4 Ton) | |
|----------------------|-----------------|------------------|--------------------------|
| Code | Outdoor Code | | |
| Outdoor Power Supply | V/Hz | | 208-230V/60Hz |
| Cooling | Capacity | Btu/h | 47000 |
| | | W | 4692 |
| | EER | Btu/h, W | 11.6 |
| | SEER | | 17.5 |
| Heating | Capacity | Btu/h | 46500 |
| | COP | Btu/h.W | 2.93 |
| | HSPF | | 9.5 |
| Compressor | Type | | Twin-rotary DC |
| Outdoor Dimension | Packing (WxHxD) | Inch | 32-5/8 x 32-5/8 x 79-5/8 |

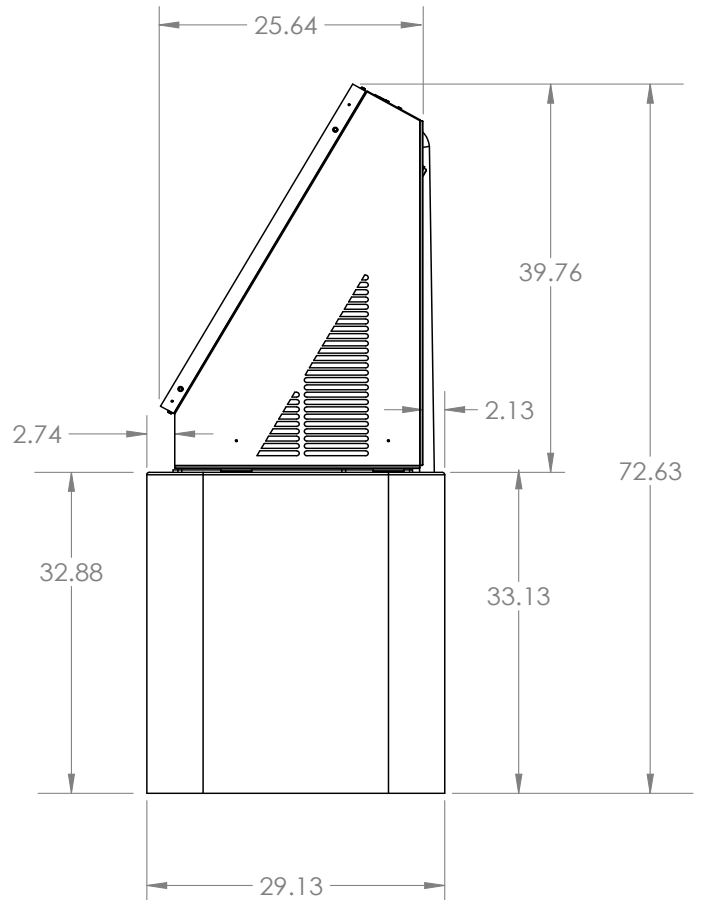
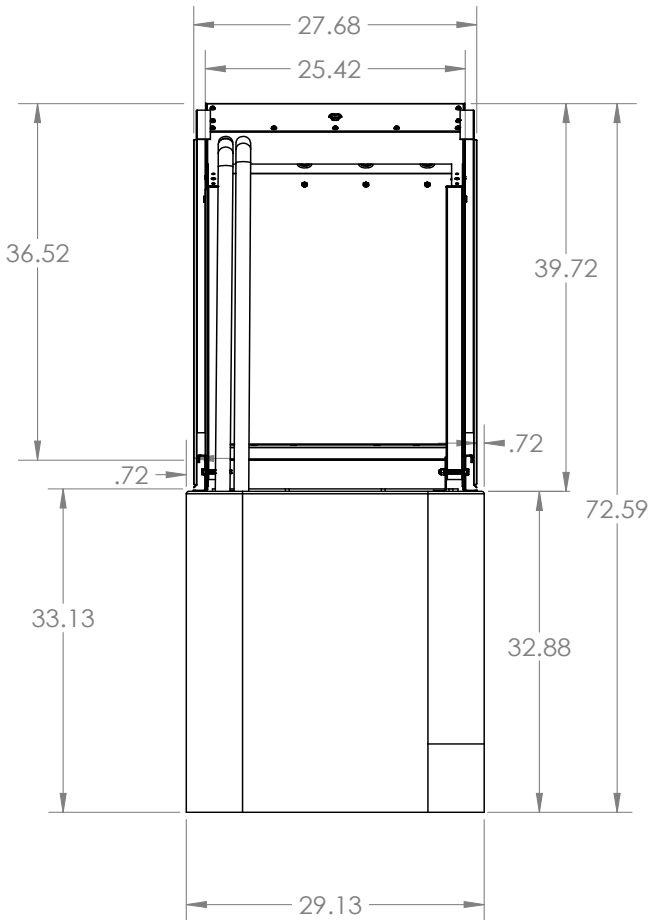
| (Outdoor Unit) Model | | SHRPZ-48 (4 Ton) | |
|-------------------------------|-----------------------------|------------------|-----------|
| Outdoor Weight | Net - Lbs (kg) | | 301 (137) |
| | *Gross - Lbs (kg) | | 306 (139) |
| Electrical Data 208/230 1Φ | Minimum Circuit Ampacity | | 31.9 A |
| | Max. Overcurrent Protection | | 50 A |
| Electrical Data 208/230 3Φ | Minimum Circuit Ampacity | | 18.43 A |
| | Max. Overcurrent Protection | | 20 A |
| Outdoor Noise Level (dB(A)) | | | 79 |
| Operation Temperatures (°F) | | | 5 - 118 |

* Gross = Net Weight + Shipping Box

Note: Calculated E COP value with solar panel: 3.63

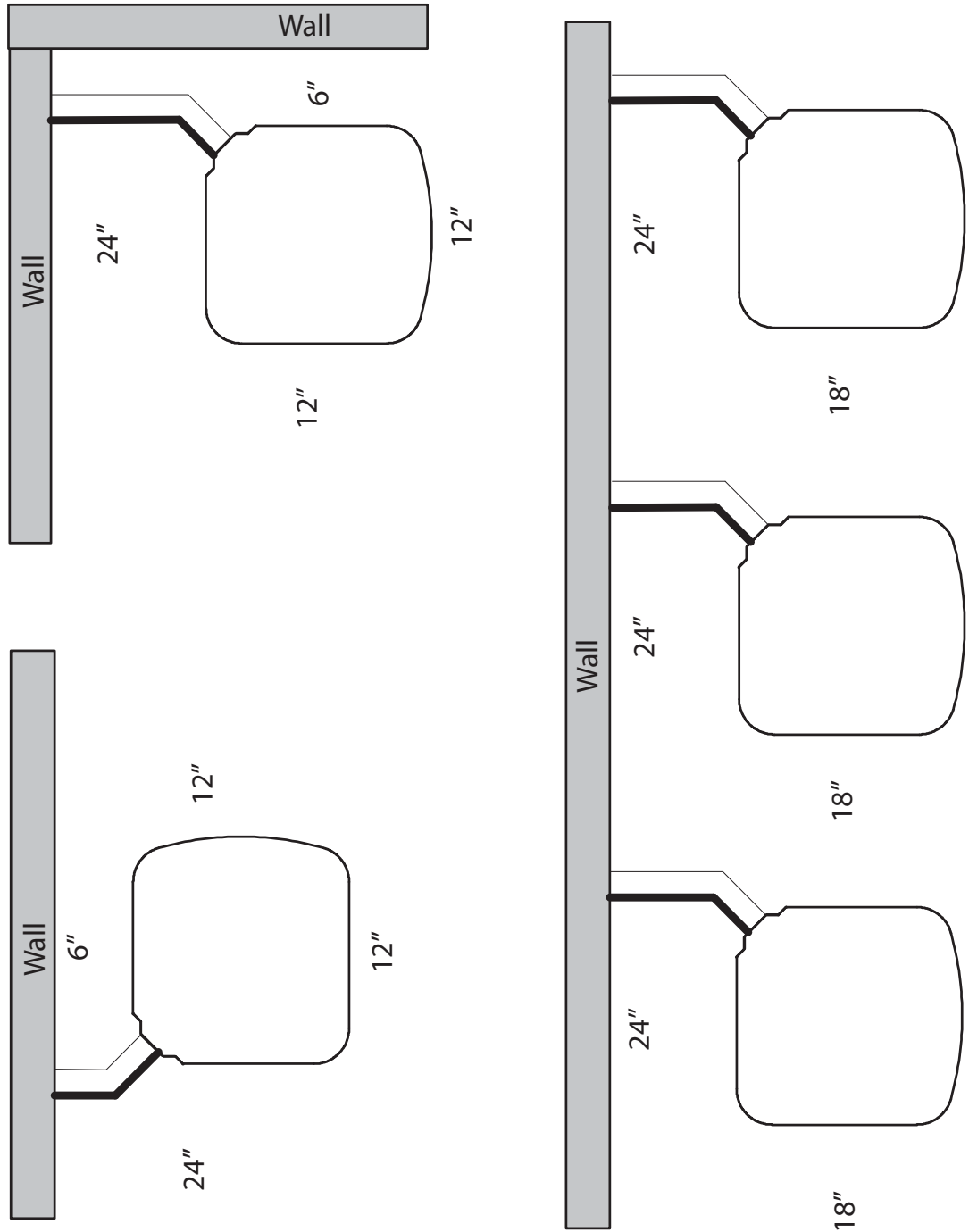
Note:
Unit should be UL 1995 listed
Unit should be OG-100 Certified to the Solar certification on ICC901/SRCC100

Note:
Face solar panels south for optimal performance.



SHRPZ-48 | Solar HVAC Model "Z" Residential Condenser Clearances

SHR*-** Clearances | v 2.00 | 03/13/23



* - Unit Type (Cooling Only (D) or Heat Pump (P))

** - BTU's - x 1000 (24, 36, 48, 60)



Specifications and Dimensions

SHRPZ-48-FV4 | Solar HVAC model "Z" Residential FV4C AHU Dimensions

| Evap Coil Specs. | Face Area | Puron Refrigerant | Filter In. (mm) | Motor Type | Motor HP | CFM |
|------------------|--------------|-------------------|------------------|------------|----------|------|
| | 5.93 sq. ft. | TXV | 19-7/8" (505 mm) | ECM | 1/2 | 1260 |

| Nominal Cooling Capacity | Shipping Weight |
|--------------------------|-----------------|
| 48,000 | 172 lbs / 78 kg |

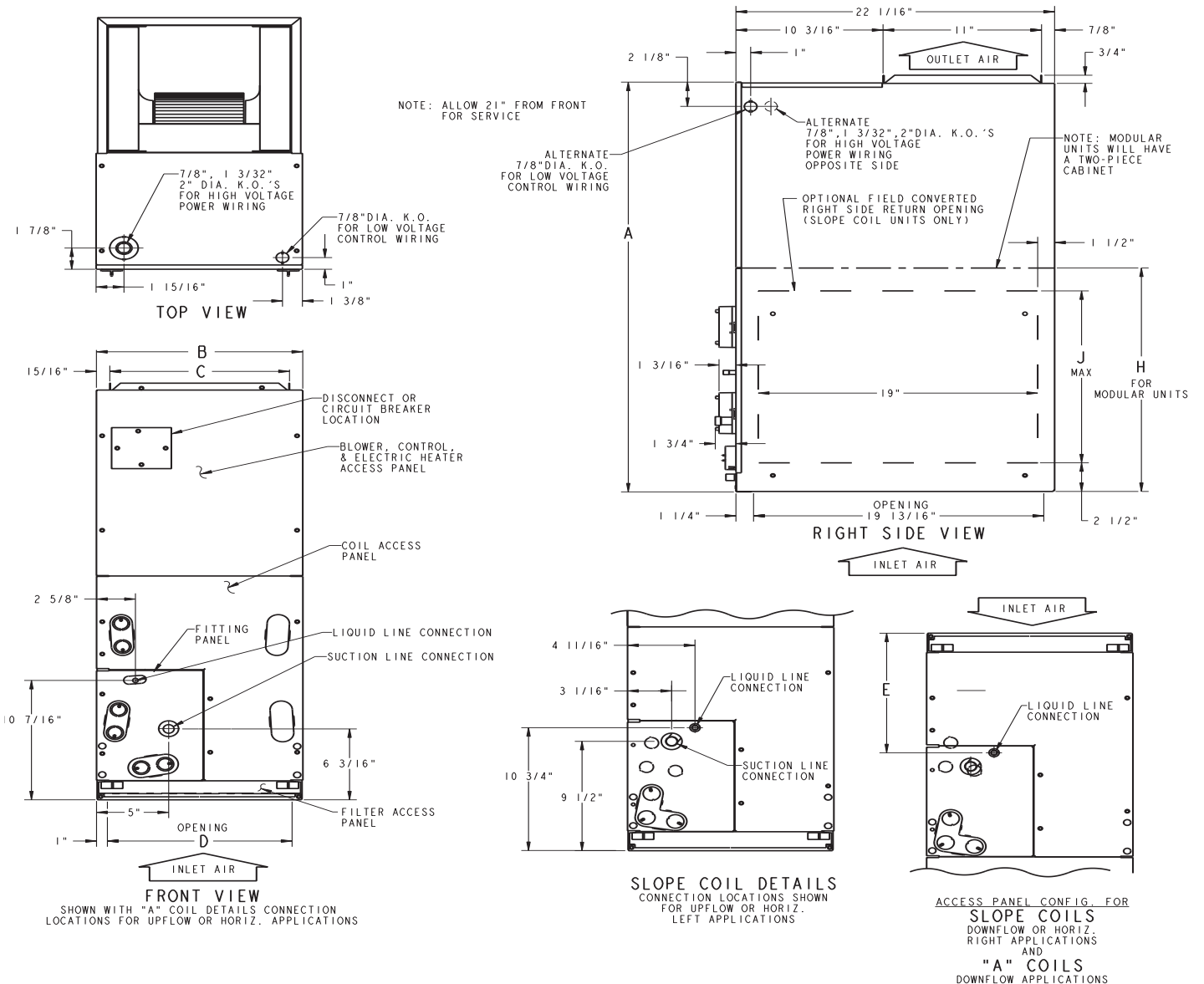
Estimated Sound Power Level (dBA)

| Conditions | | Octave Band Center Frequency | | | | | | |
|------------|----------------------|------------------------------|-----|-----|-----|------|------|------|
| CFM | Ext. Static Pressure | 63 | 125 | 250 | 500 | 1000 | 2000 | 4000 |
| 1200 | 0.25 | 68 | 62 | 60 | 57 | 55 | 53 | 49 |

Electrical Data for Units Without Electrical Heat

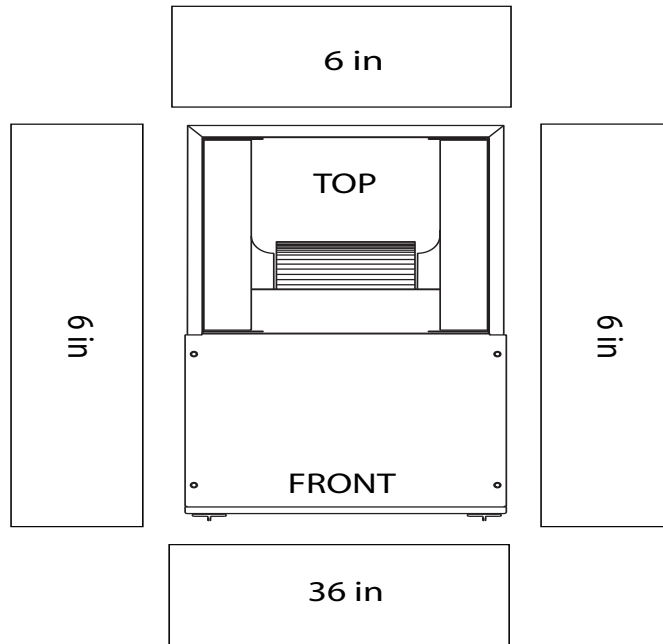
| Motor HP | MTR FLA | Volts/Ph/Hz | Single Circuit | | Min. Wire Size |
|----------|---------|--------------|----------------|------------------|----------------|
| | | | MCA | Max. Overcurrent | |
| 3/4 | 6.8 | 208/230/1/60 | 8.5 | 15 | 14 AWG |

| UNIT # | A | B | C | D | E | H | J |
|--------|---------|--------|--------|--------|---------|---------|---|
| FV4048 | 53-7/16 | 21-1/8 | 19-1/4 | 19-1/8 | 19-3/16 | 28-5/16 | — |



SHRPZ-48-FV4 | Solar HVAC Model "Z" Residential FV4C AHU Clearances

SHR*-FV4 AHU Clearances | v 1.00 | 03/13/23



OPTIONAL ELECTRIC HEAT CLEARANCES

