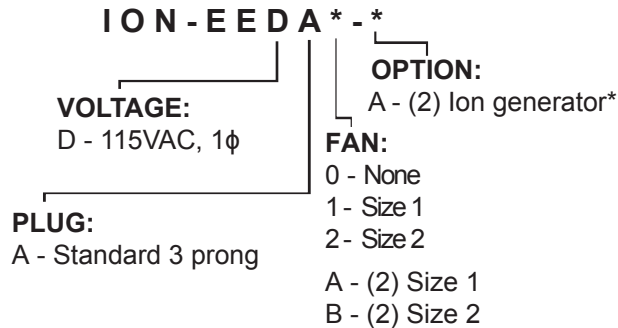


ION - E E * * * - * | Stand-Alone Air Purifier

Part Number



*Note: The (2) Ion Generator Option is only available with Fan 0 - None.

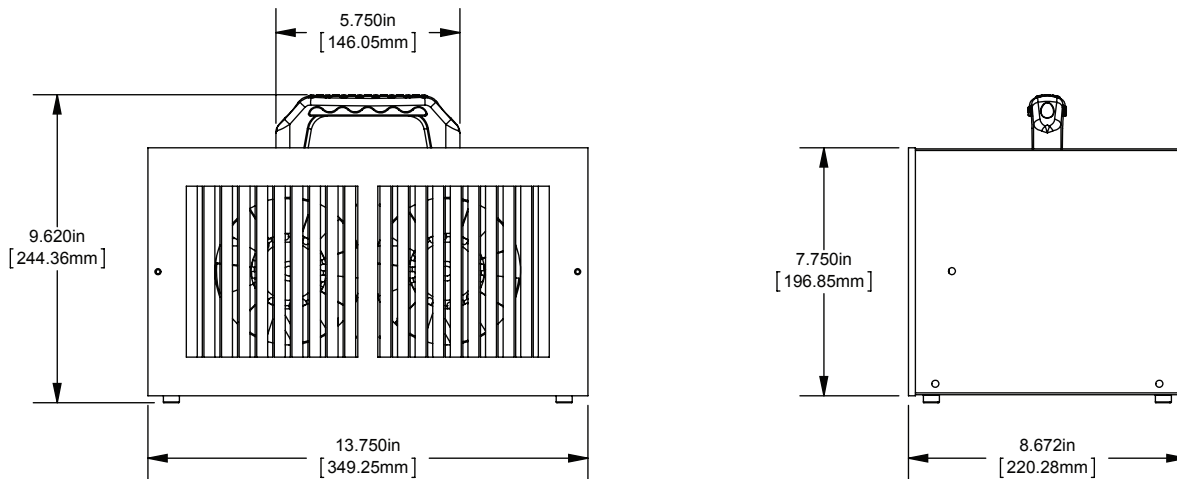
Weight 9 lbs [4.0 kg]

*Note: 61% made in America

Product Application

iAIRE's stand-alone ionization air purifier is equipped with one or two internal fans, an ion generator, and a power cord. This device is designed to temporarily purify larger spaces of up to 18,000 square feet. It removes odors, allergens, bacteria, and mold. An optional mounting bracket (ION-E-KIT) is available for permanent installation. No maintenance require or filters to clean.

Product Dimensions (inches [mm])



Technical Data

Part Number	Voltage	Fan	Total PWR	Total Current	Est Sound	Est Airflow	Capacity
ION-E*DA1	115	SIZE 1	5.3 watts	46.09 mA	28 dB	50 cfm	3,000 ft ³
ION-E*DA2	115	SIZE 2	16.1 watts	140.00 mA	59 dB	166 cfm	9,000 ft ³
ION-E*DAA	115	SIZE 1 (2x)	6.5 watts	56.52 mA	33 dB	95 cfm	6,000 ft ³
ION-E*DAB	115	SIZE 2 (2x)	28.1 watts	244.35 mA	62 dB	302 cfm	18,000 ft ³
ION-E*D*0	115	NONE	4.1 watts	35.65 mA	NONE	N/A	N/A
ION-E*D*0-A	115	NONE	8.2 watts	71.30 mA	NONE	N/A	N/A