

READ THESE INSTRUCTIONS BEFORE YOU BEGIN INSTALLATION

INSTALLATION

The **iAIRE** register ionization air purifier can be installed to clean spaces up to 9,000 ft³.

MOUNTING

Find a suitable location to mount the register air purifier. It is designed to fit any standard 2x4 stud wall.

Create an opening for the register to slide in (opening dimensions should be 12-7/8 in x 6-1/8 in) [figure 1.1]. Check the part number on the label for actual voltage and run power to your wall opening.

The unit has two mounting holes to accommodate register screws [figure 1.2]. The air purifier should be mounted to the wall using screws.

⚠ (It is recommended when mounting within a wall to secure the air purifier using drywall anchors or to wall studs directly. If setting inside the space, place in an area where the air purifier is not likely to fall.)

fig. 1.1 (wall opening inches [cm])

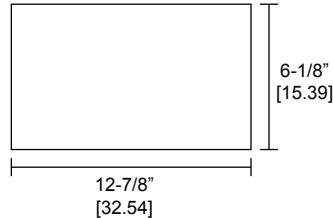
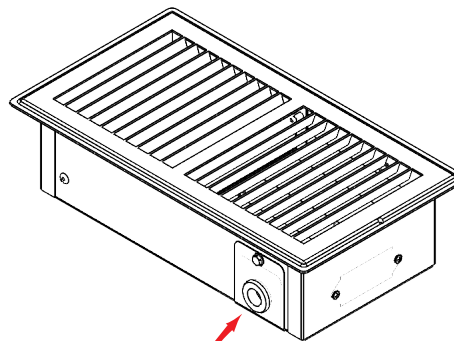
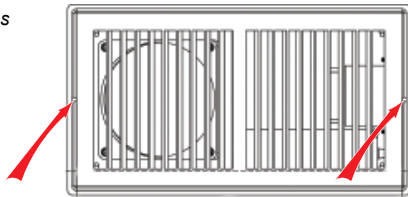


fig. 1.2 (screw holes for wall mounting)



Pigtail wiring can also be run out the bottom of device.



UL 867
CSA C22.2

File# 101141865COL-003



MAINTENANCE

A small cleaning brush (GNP-0148) is included for easy, routine maintenance. This should be done as the ion brushes become dirty.

WIRING

PRODUCT ACCEPTS 115 / 208 / 230 / 277 VAC 1Ø POWER. Check part # on label for actual voltage.

⚠ (Be sure to follow all local and electrical codes. Turn off power to the unit before mounting or making any connections.)

ION - BA * 0 *

VOLTAGE:

D - 115VAC, 1ϕ
E - 208VAC, 1ϕ
G - 230VAC, 1ϕ
J - 277VAC, 1ϕ

FAN:

1 - Size 1
2 - Size 2

- Verify the product will not overload the power requirement for the system before wiring.
- Check the label on the product and wire it only to the voltage range shown.
- Mount external electrical box outside of wire opening. Pull the wires from the ion device into the electrical box and wire to meet all applicable codes.
- The pigtail wiring harness can exit out of the side (shown) or top by flipping cover panel.
- Unit should be interlocked to fan operation (G terminal) or other similar control.
- Inline C-Class Fusing:
500mA @ 24V; (FUS-0037)
- Green LED will illuminate when powered and operating.