



Solar HVAC 230V | Model "Z" 3-Ton ultra-Res Residential Unit

Part Number

SHRDZ- 36 L 5 67 8 910 11 - U*

Unit Type	BTU's	Fan	Voltage (5)	Electric Heat (6,7)	Heat Stages (8)
D - Cooling Only	36 - 36,000 BTU's	L - Low/Std. Static	G - 230 VAC 1Φ H - 230 VAC 3Φ	00 - No Heat *05 - 5 kW *10 - 10 kW	A - No Controls *B - 1 Stage *M - Modulating

Disconnect (9,10)

- 00 - No Disconnect
- 01 - 240V - 30A Fuse
- 11 - 240V - 30A Switch

Configuration (11)

- *A - Down Supply / Down Return
- *D - Horizontal Supply / Horizontal Return

Options (12)

- 0 - No Options
- *B - Whole Unit (UG)
- *C - All Coils (UG)
- D - Condenser Coil (UG)
- *K - DW w/ Poly Insulation
- *N - Dirty Filter Switch
- U - Ultra Res
- Y - Start Up
- *3 - Condensate Flow Switch
- 7 - Phase Monitor
- *8 - Ionization Installed in AHU

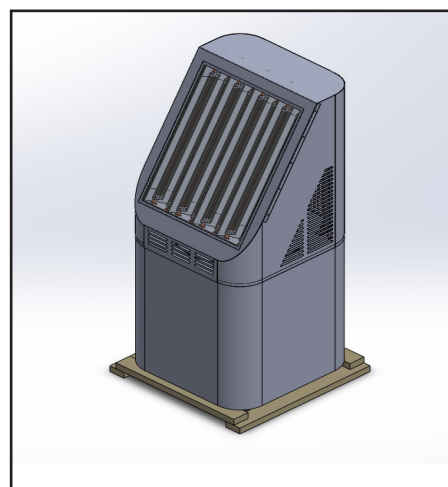
* - Only available when U - Ultra Res selected Options (12)

Description

A Solar HVAC Residential Unit is more than twice as efficient as a standard residential split unit.

A solar box equipped with chambers lined with specialty reflective film is mounted to the top of the condensing unit. Through a patented process, ambient light is converted to thermal energy which reduces the energy demand on the compressor.

ultraRES takes the highest efficiency condensing unit (made with the patented solar HVAC system) and pairs it with an air handling unit that comes equipped with a 4" filter box with a MERV 13 filter and VOC sensor. The 4" MERV 13 filter provides more than 4 times the filter efficiency of a standard 1" pleated filter. The VOC sensor is mounted in the space and provides the owner with feedback on how clean or dirty the air is inside the space.



Units come with a 1-year parts warranty and 10 year compressor warranty.





Dimensions

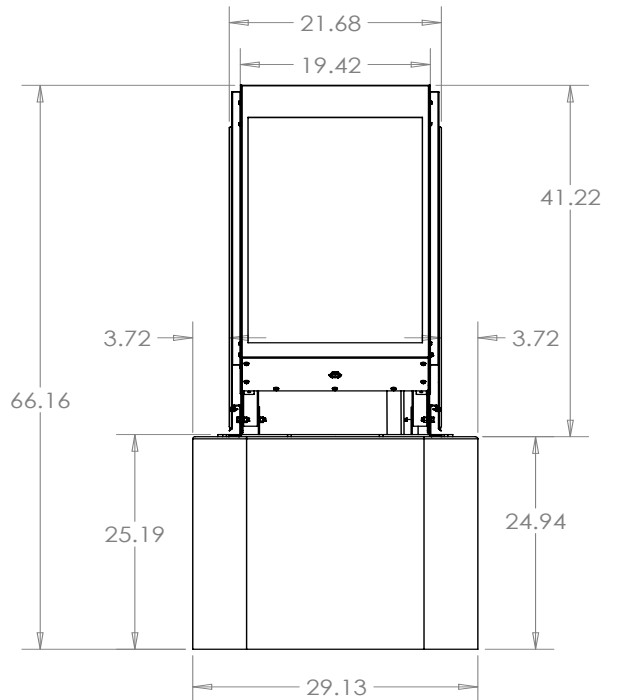
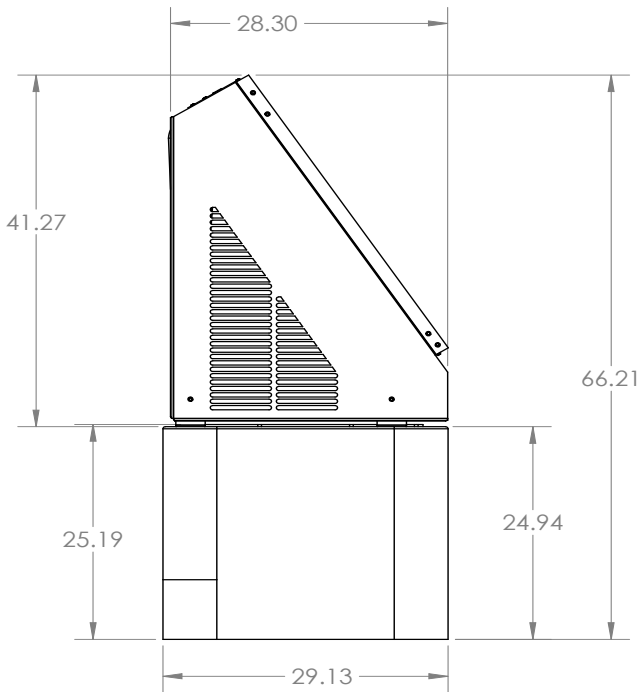
SHRDZ-36 | Solar HVAC Model "Z" Residential Condenser Dimensions

Model		SHRDZ-36 (3 Ton)	
Code	Outdoor Code		
Outdoor Power Supply	V/Hz	208-230V/60Hz	
Cooling	Capacity	Btu/h	34500
		W	2974
	EER	Btu/h, W	11.6
	SEER		17.5
Compressor	Type	Twin-rotary DC	
Outdoor Dimension	Packing (WxHxD)	Inch	32-5/8 x 32-5/8 x 71

(Outdoor Unit) Model		SHRDZ-36 (3 Ton)	
Outdoor Weight	Net - Lbs (kg)	257 (117)	
	*Gross - Lbs (kg)	262 (119)	
Electrical Data 208/230 1Φ	Minimum Circuit Ampacity	24.2 A	
	Max. Overcurrent Protection	40 A	
Electrical Data 208/230 3Φ	Minimum Circuit Ampacity	13.98 A	
	Max. Overcurrent Protection	20 A	
Outdoor Noise Level (dB(A))		78	
Operation Temperatures (°F)		5 - 118	

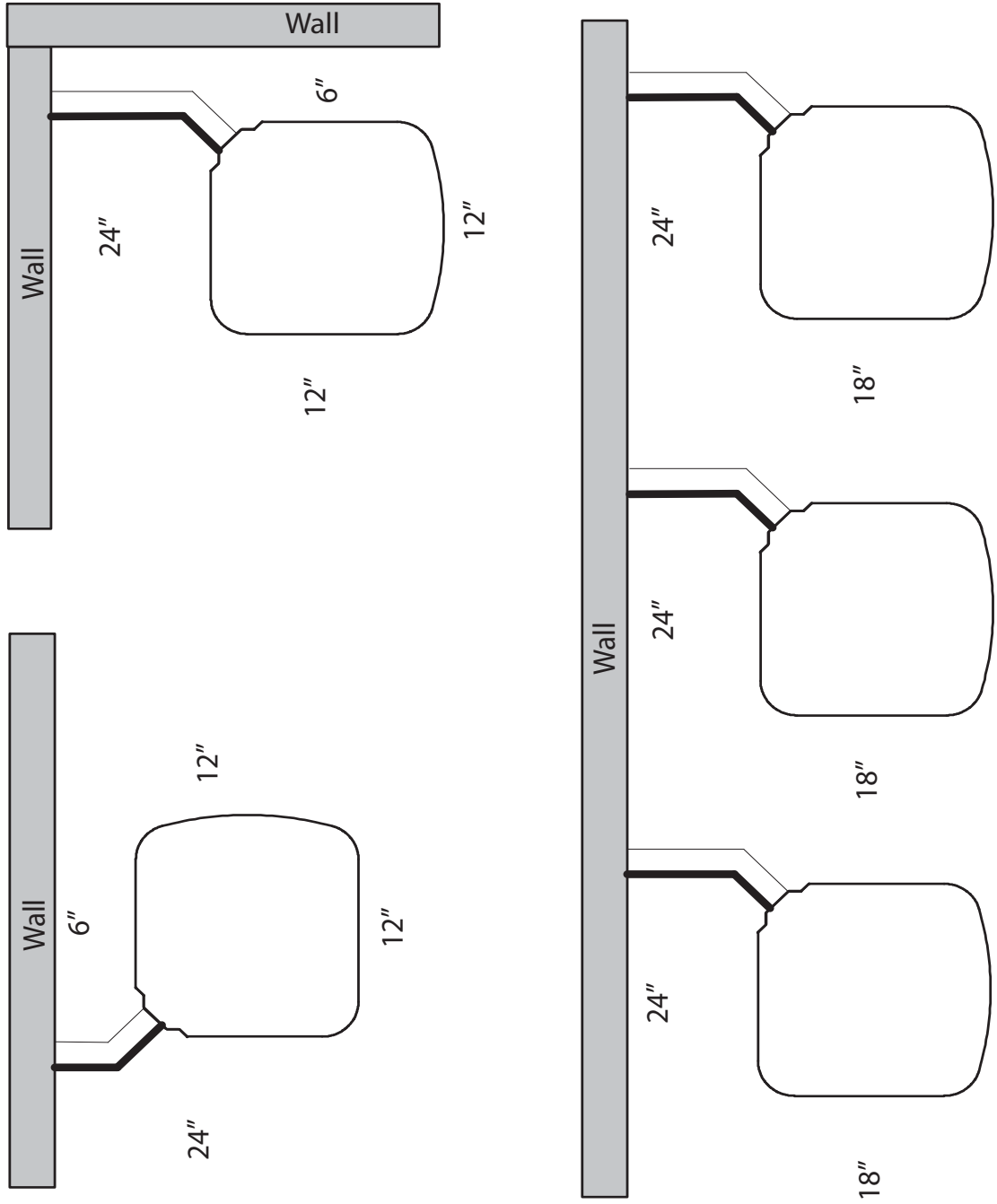
Note:
 Unit should be UL 1995 listed
 Unit should be OG-100 Certified to the Solar certification on ICC901/SRCC100
Note: Face solar panels south for optimal performance.

* Gross = Net Weight + Shipping Box



SHRDZ-36 | Solar HVAC Model "Z" Residential Condenser Clearances

SHR*-** Clearances | v 2.00 | 03/13/23



* - Unit Type (Cooling Only (D) or Heat Pump (P))
 ** - BTU's - x 1000 (24, 36, 48, 60)



Specifications and Dimensions

SHRDZ-36-FV4 | Solar HVAC Model "Z" Residential FV4C AHU Dimensions

Evap Coil Specs.	Face Area	Puron Refrigerant	Filter In. (mm)	Motor Type	Motor HP	CFM
	3.46 sq. ft.	TXV	19-7/8" (505 mm)	ECM	1/2	945

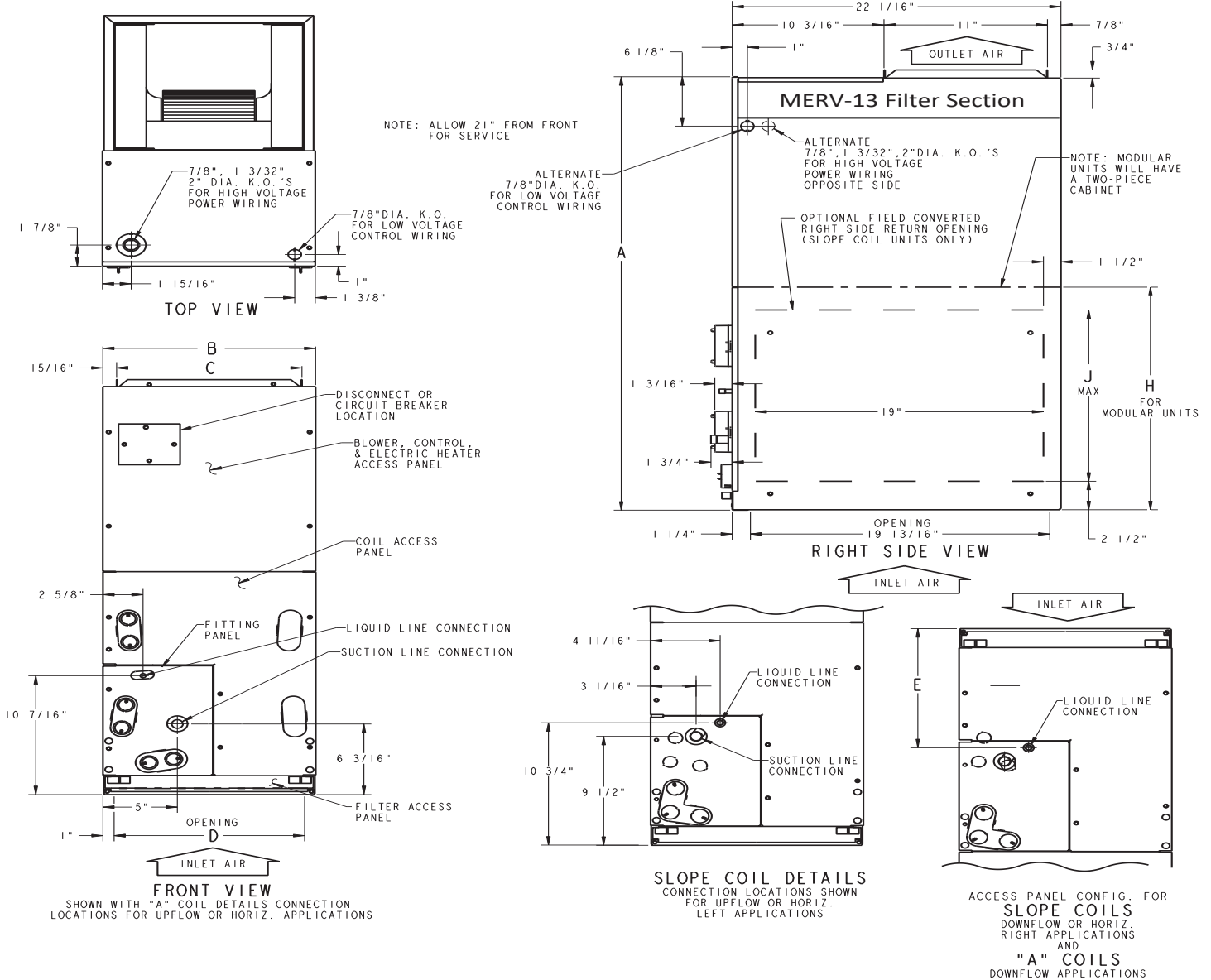
Nominal Cooling Capacity	Shipping Weight
36,000	150 lbs / 68 kg

Estimated Sound Power Level (dBA)

Electrical Data for Units Without Electrical Heat

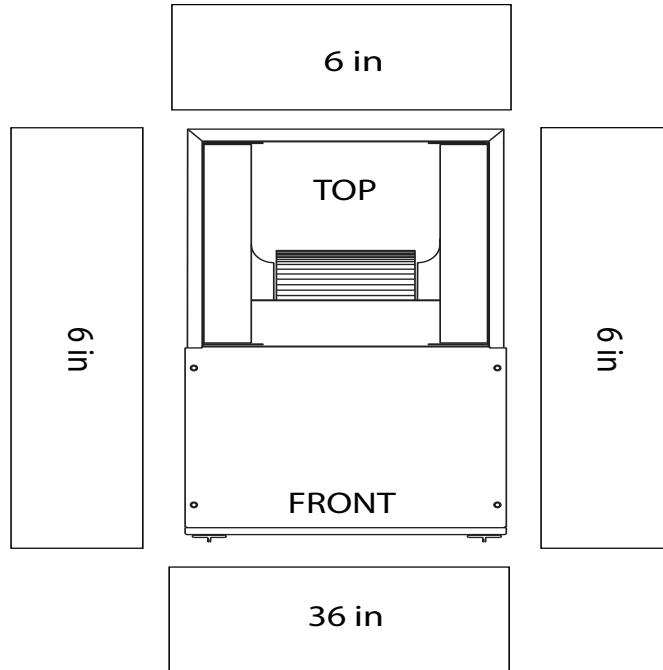
Conditions		Octave Band Center Frequency							Motor HP	MTR FLA	Volts/Ph/Hz	Single Circuit		Min. Wire Size
CFM	Ext. Static Pressure	63	125	250	500	1000	2000	4000				MCA	Max. Overcurrent	
1000	0.25	67	63	59	56	54	52	48	1/2	4.3	208/230/1/60	5.4	15	14 AWG

UNIT #	A	B	C	D	E	H	J
FV4036	53-7/16	21-1/8	19-1/4	19-1/8	19-3/16	28-5/16	19



SHRDZ-36-FV4 | Solar HVAC Model "Z" Residential AHU Clearances

SHR*-FV4 AHU Clearances | v 1.00 | 03/13/23



OPTIONAL ELECTRIC HEAT CLEARANCES

