



Solar HVAC 230V | Model "Z" 4-Ton Residential Unit

Part Number

SHRDZ- 48 L 5 67 8 910 11 - A\*

Unit Type	BTU's	Fan	Voltage (5)	Electric Heat (6,7)	Heat Stages (8)
D - Cooling Only	48 - 48,000 BTU's	L - Low/Std. Static	G - 230 VAC 1Φ H - 230 VAC 3Φ	00 - No Heat *05 - 5 kW *10 - 10 kW	A - No Controls *B - 1 Stage *M - Modulating

Disconnect (9,10)
00 - No Disconnect 01 - 240V - 30A Fuse 11 - 240V - 30A Switch

Configuration (11)
*A - Down Supply / Down Return *D - Horizontal Supply / Horizontal Return

Options (12)
0 - No Options A - Model Z AHU *B - Whole Unit (UG) *C - All Coils (UG) D - Condenser Coil (UG) *K - DW w/ Poly Insulation *N - Dirty Filter Switch Y - Start Up *3 - Condensate Flow Switch 7 - Phase Monitor *8 - Ionization Installed in AHU

\* - Only available when A - Model Z AHU selected Options (12)

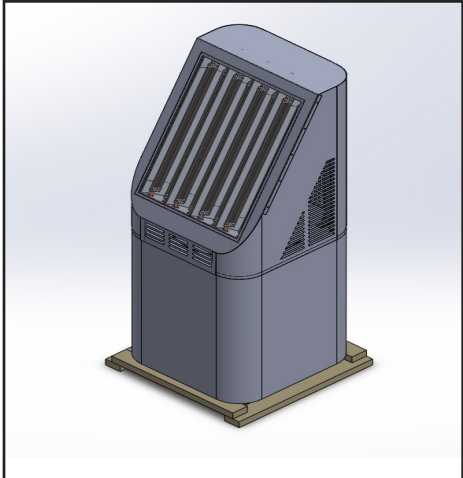
Description

A Solar HVAC Residential Unit is more than twice as efficient as a standard residential split unit.

A solar box equipped with chambers lined with specialty reflective film is mounted to the top of the condensing unit. Through a patented process, ambient light is converted to thermal energy which reduces the energy demand on the compressor.

The highest efficiency condensing unit (made with the patented solar HVAC system) is paired with a Model "Z" air handling unit that comes equipped with a standard 1" pleated filter.

Units come with a 1-year parts warranty and 10 year compressor warranty.





# Dimensions

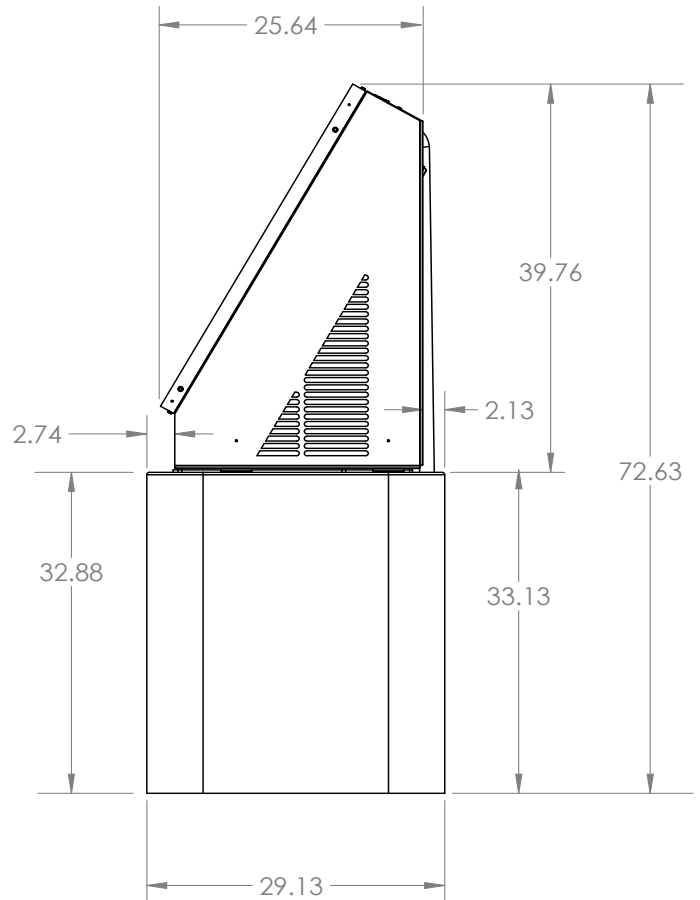
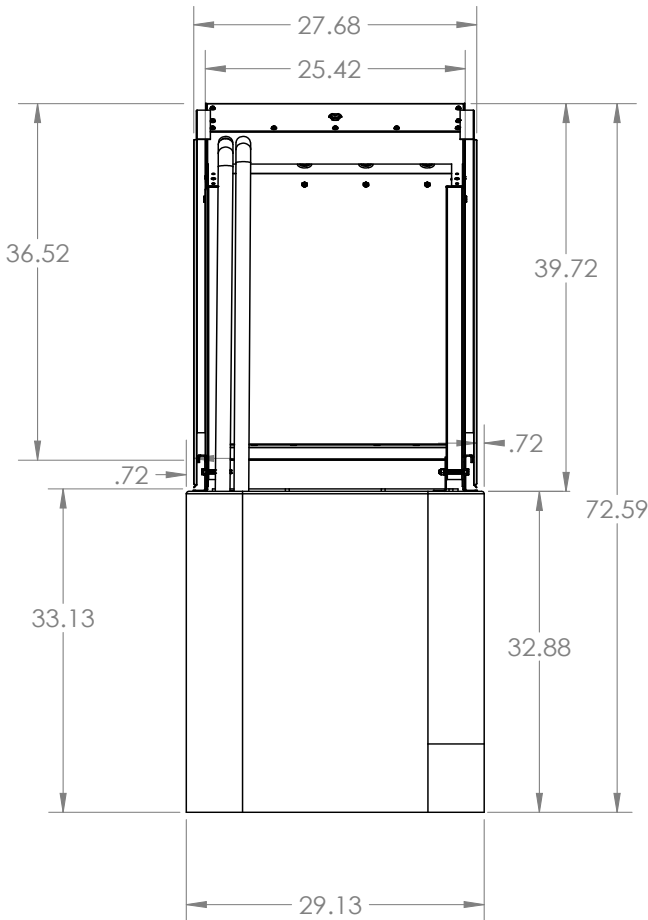
## SHRDZ-48 | Solar HVAC Model "Z" Residential Condenser Dimensions

Model		SHRDZ-48 (4 Ton)	
Code	Outdoor Code		
Outdoor Power Supply	V/Hz		208-230V/60Hz
Cooling	Capacity	Btu/h	47000
		W	4692
	EER	Btu/h, W	11.6
	SEER		17.5
Compressor	Type		Twin-rotary DC
Outdoor Dimension	Packing (WxHxD)	Inch	32-5/8 x 32-5/8 x 79-5/8

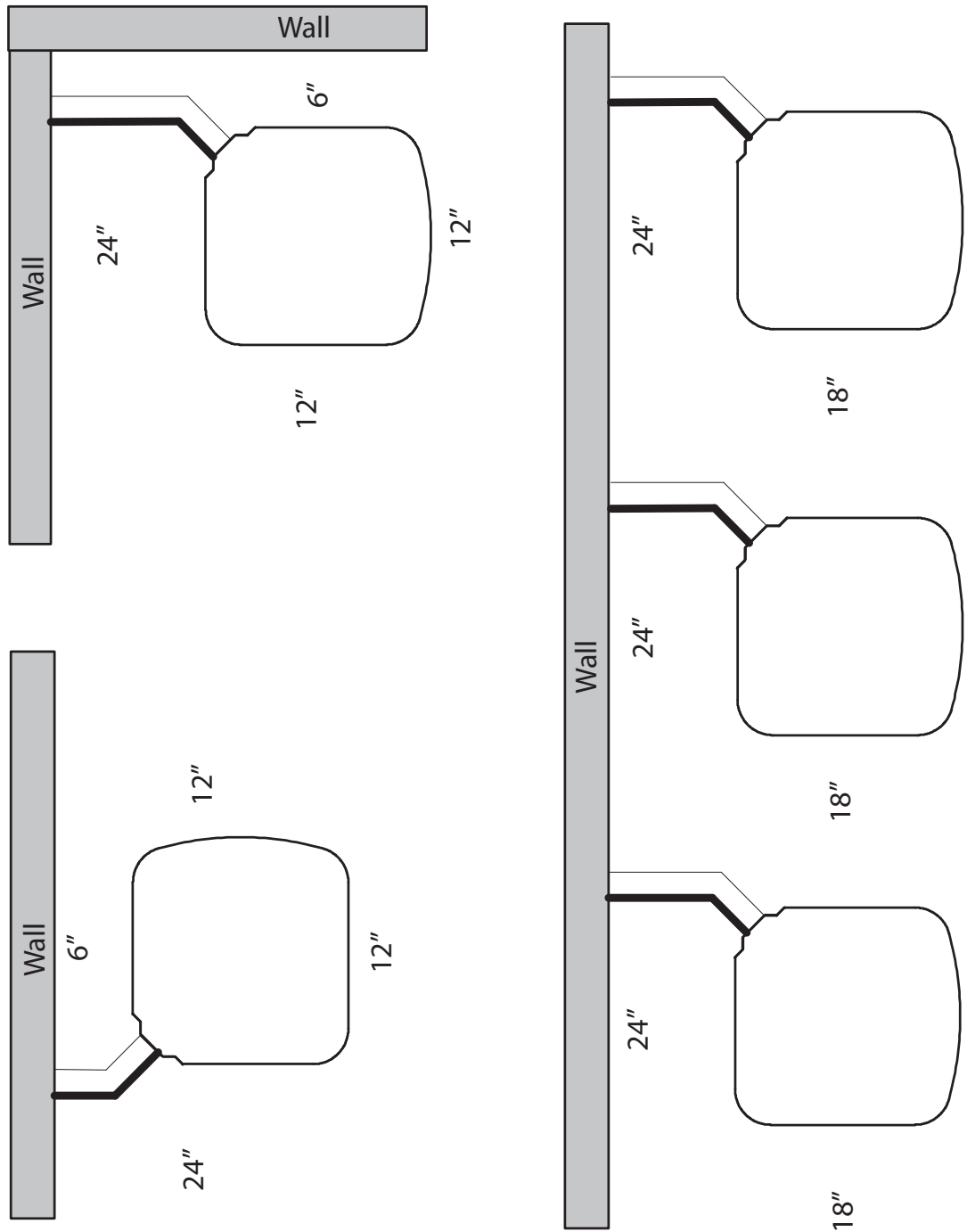
(Outdoor Unit) Model		SHRDZ-48 (4 Ton)	
Outdoor Weight	Net - Lbs (kg)		301 (137)
	*Gross - Lbs (kg)		306 (139)
Electrical Data 208/230 1Φ	Minimum Circuit Ampacity		31.9 A
	Max. Overcurrent Protection		50 A
Electrical Data 208/230 3Φ	Minimum Circuit Ampacity		18.43 A
	Max. Overcurrent Protection		20 A
Outdoor Noise Level (dB(A))			79
Operation Temperatures (°F)			5 - 118

**Note:**  
 Unit should be UL 1995 listed  
 Unit should be OG-100 Certified to the Solar certification on ICC901/SRCC100  
**Note:** Face solar panels south for optimal performance.

\* Gross = Net Weight + Shipping Box



SHR\*-\*\* Clearances | v 2.00 | 05/20/22



\* - Unit Type (Cooling Only (D) or Heat Pump (P))

\*\* - BTU's - x 1000 (24, 36, 48, 60)



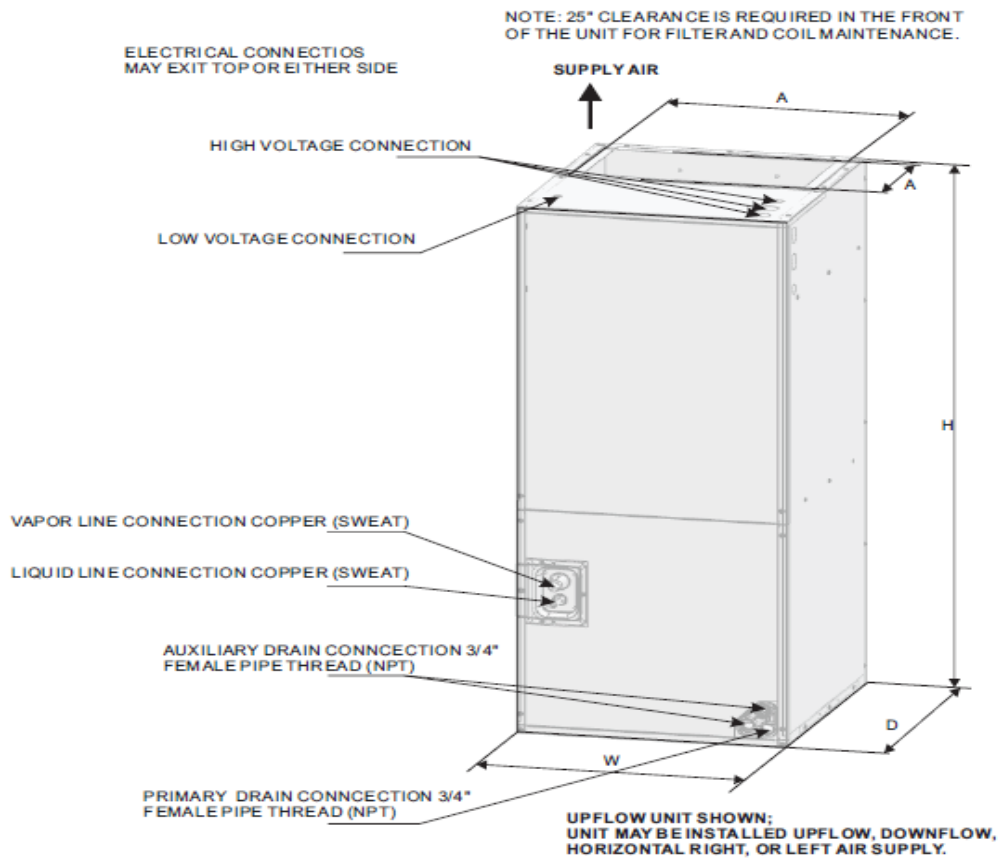
# Specifications and Dimensions

## SHRDZ-48-ZERO | Solar HVAC Model "Z" Residential AHU Dimensions

Evap Coil Specs.	Type	Puron Refrigerant	Nominal Cooling Capacity	CFM	Ext. Static Pressure	Indoor Noise Level
	Inner Groove	TXV	47,000	1500	0.20	67

Motor Type	Motor HP	Motor RPM	Motor FLA	V/Ph/Hz	MCA	MOCP
ECM	3/4	1050	6.0	208-230/1/60	5.0	30

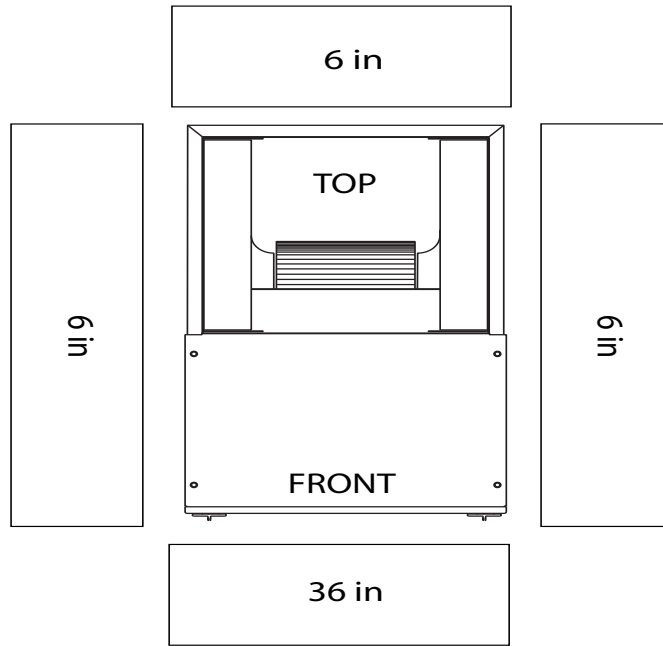
Shipping Weight	Shipping Dimensions
170/188 lbs	25.20 x 54.72 x 27.95 in.
77/85 kg	640 x 1390 x 710 mm



Zero 48k AHU DIMENSIONS					
DIMENSIONAL DATA					
MODEL SIZE	Dimensions				
	UNIT HEIGHT "H"/in	UNIT WIDTH "W"/in	UNIT LENGTH "D"/in	SUPPLY DUCT "A"/in	LIQUID LINE / VAPOR LINE IN
48K	53.15	22.05	24.53	19.53	3/8" / 7/8"

**SHRDZ-48-ZERO | Solar HVAC Model "Z" Residential AHU Clearances**

SHR\*-Zero AHU Clearances | v 1.00 | 01/28/23



**OPTIONAL ELECTRIC HEAT CLEARANCES**

