



Solar HVAC 230V | Model "Z" 2-Ton Residential Unit

Part Number

SHRDZ- 24 L 5 6 7 8 9 10 11 - A*

| Unit Type | BTU's | Fan | Voltage (5) | Electric Heat (6,7) | Heat Stages (8) |
|------------------|-------------------|---------------------|----------------------------------|---|--|
| D - Cooling Only | 24 - 24,000 BTU's | L - Low/Std. Static | G - 230 VAC 1Φ H - 230 VAC 3Φ | 00 - No Heat *05 - 5 kW *10 - 10 kW | A - No Controls *B - 1 Stage *M - Modulating |

| Disconnect (9,10) |
|--|
| 00 - No Disconnect 01 - 240V - 30A Fuse 11 - 240V - 30A Switch |

| Configuration (11) |
|--|
| *A - Down Supply / Down Return *D - Horizontal Supply / Horizontal Return |

| Options (12) |
|---|
| 0 - No Options A - Model Z AHU *B - Whole Unit (UG) *C - All Coils (UG) D - Condenser Coil (UG) *K - DW w/ Poly Insulation *N - Dirty Filter Switch Y - Start Up *3 - Condensate Flow Switch 7 - Phase Monitor *8 - Ionization Installed in AHU |

* - Only available when A - Model Z AHU selected Options (12)

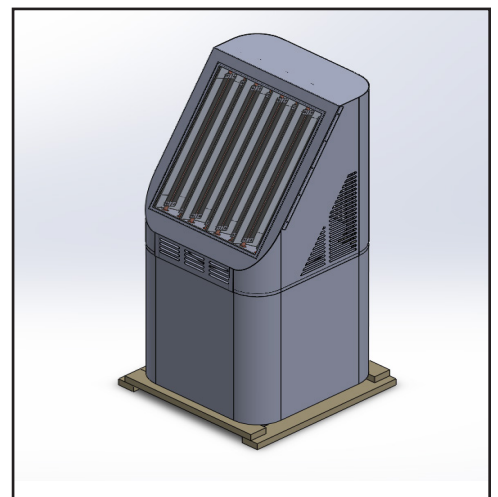
Description

A Solar HVAC Residential Unit is more than twice as efficient as a standard residential split unit.

A solar box equipped with chambers lined with specialty reflective film is mounted to the top of the condensing unit. Through a patented process, ambient light is converted to thermal energy which reduces the energy demand on the compressor.

The highest efficiency condensing unit (made with the patented solar HVAC system) is paired with a Model "Z" air handling unit that comes equipped with a standard 1" pleated filter.

Units come with a 1-year parts warranty and 10 year compressor warranty.





Dimensions

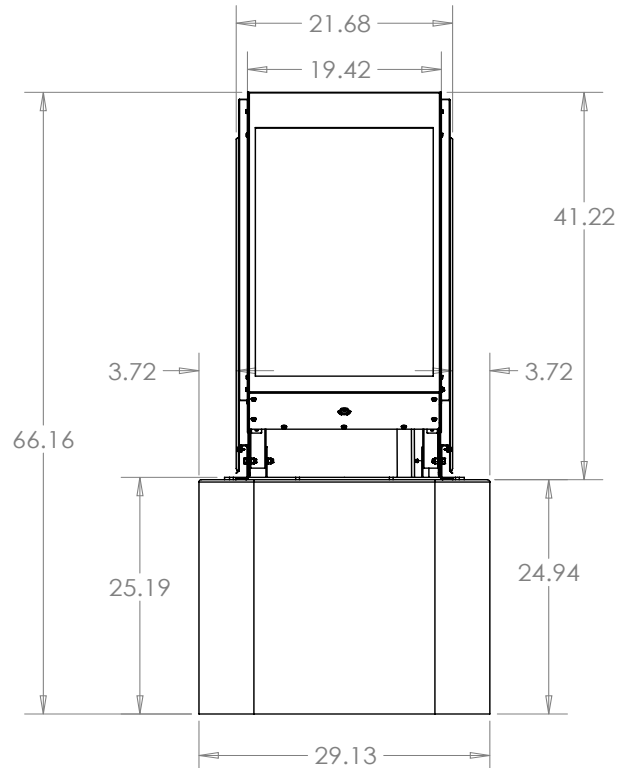
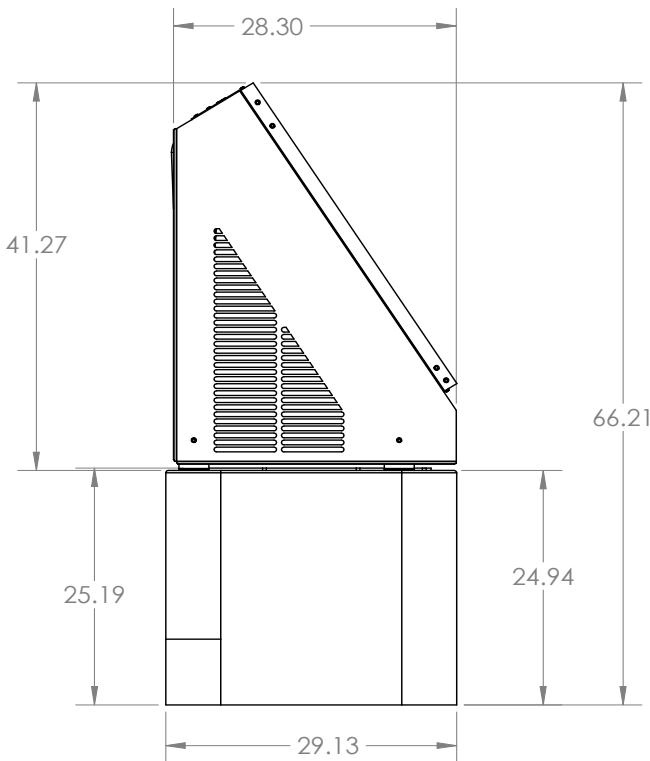
SHRDZ-24 | Solar HVAC Model "Z" Residential Condenser Dimensions

| Model | | SHRDZ-24 (2 Ton) | |
|----------------------|-----------------|------------------|----------------------|
| Code | Outdoor Code | | |
| Outdoor Power Supply | V/Hz | 208-230V/60Hz | |
| Cooling | Capacity | Btu/h | 24000 |
| | | W | 1920 |
| | EER | Btu/h, W | 12.5 |
| | SEER | | 17.5 |
| Compressor | Type | Twin-rotary DC | |
| Outdoor Dimension | Packing (WxHxD) | Inch | 32-5/8 x 32-5/8 x 71 |

| (Outdoor Unit) Model | | SHRDZ-24 (2 Ton) | |
|-------------------------------|-----------------------------|------------------|--|
| Outdoor Weight | Net - Lbs (kg) | 257 (117) | |
| | *Gross - Lbs (kg) | 262 (119) | |
| Electrical Data 208/230 1Φ | Minimum Circuit Ampacity | 17.7 A | |
| | Max. Overcurrent Protection | 30 A | |
| Electrical Data 208/230 3Φ | Minimum Circuit Ampacity | 10.23 A | |
| | Max. Overcurrent Protection | 20 A | |
| Outdoor Noise Level (dB(A)) | | 78 | |
| Operation Temperatures (°F) | | 5 - 118 | |

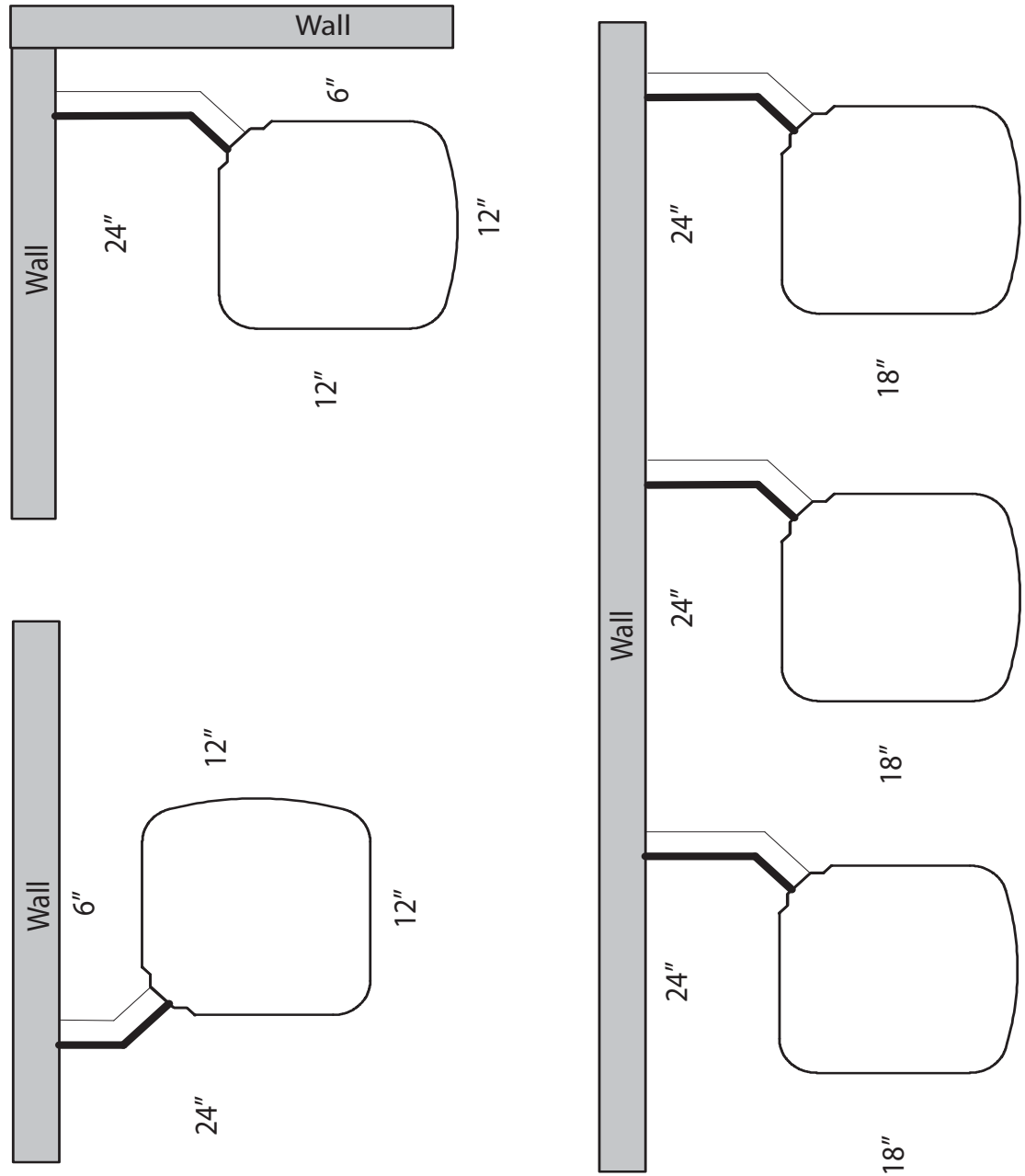
Note:
 Unit should be UL 1995 listed
 Unit should be OG-100 Certified to the Solar certification on ICC901/SRCC100
Note: Face solar panels south for optimal performance.

* Gross = Net Weight + Shipping Box



SHRDZ-24 | Solar HVAC Model "Z" Residential Condenser Clearances

SHR*-** Clearances | v 2.00 | 05/20/22



* - Unit Type (Cooling Only (D) or Heat Pump (P))

** - BTU's - x 1000 (24, 36, 48, 60)



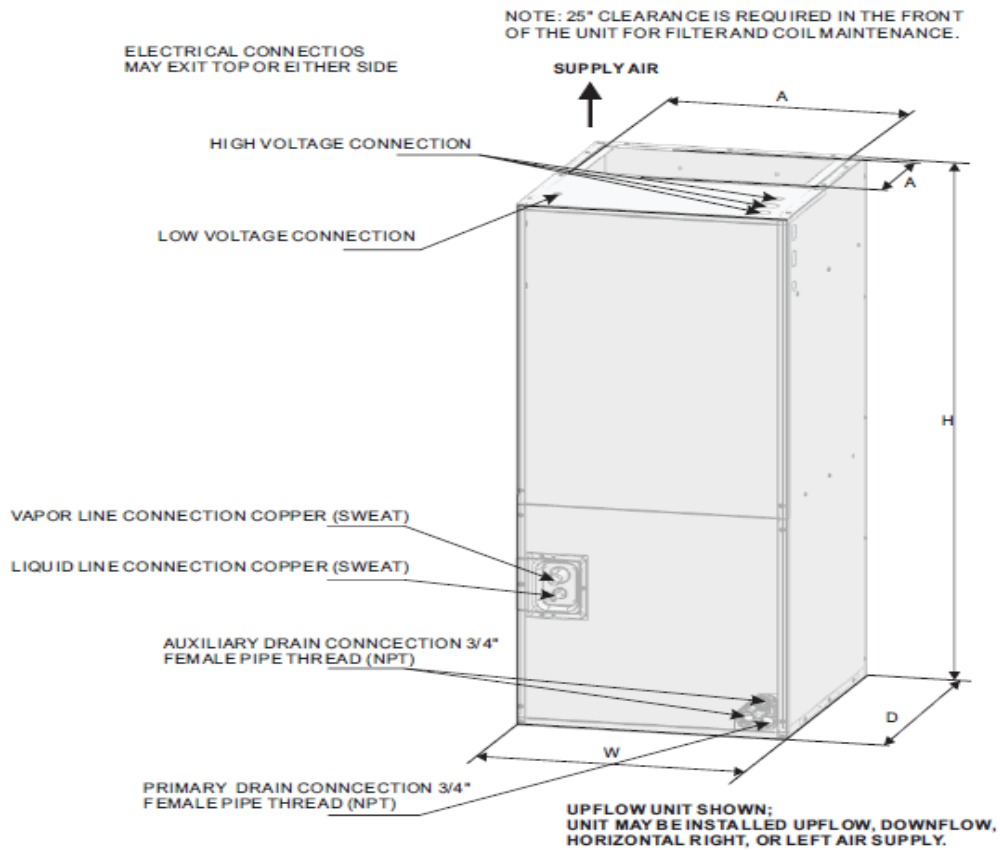
Specifications and Dimensions

SHRDZ-24-ZERO | Solar HVAC Model "Z" Residential AHU Dimensions

| Evap Coil Specs. | Type | Puron Refrigerant | Nominal Cooling Capacity | CFM | Ext. Static Pressure | Indoor Noise Level |
|------------------|--------------|-------------------|--------------------------|-----|----------------------|--------------------|
| | Inner Groove | TXV | 24,000 | 780 | 0.10 | 63 |

| Motor Type | Motor HP | Motor RPM | Motor FLA | V/Ph/Hz | MCA | MOCP |
|------------|----------|-----------|-----------|--------------|-----|------|
| ECM | 1/3 | 1050 | 2.8 | 208-230/1/60 | 1.7 | 22 |

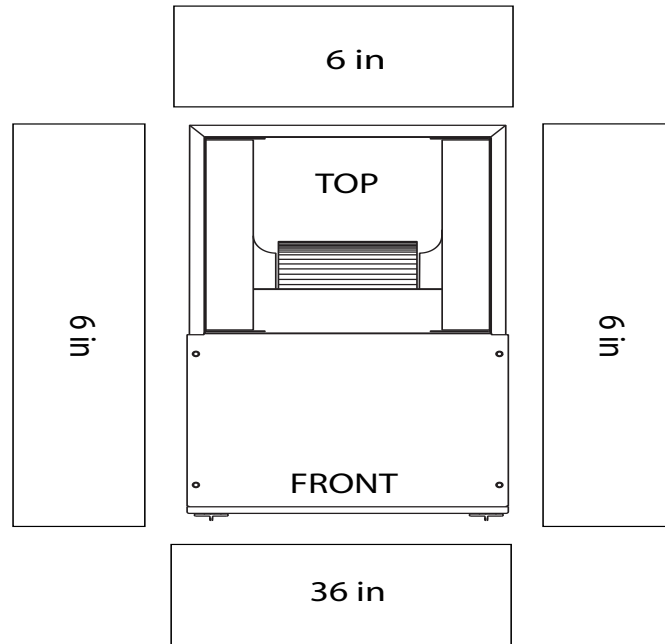
| Shipping Weight | Shipping Dimensions |
|-----------------|---------------------------|
| 126/139 lbs | 22.83 x 47.64 x 25.59 in. |
| 57/63 kg | 580 x 1210 x 650 mm |



| Zero 24k AHU DIMENSIONS | | | | | |
|-------------------------|--------------------|-------------------|--------------------|--------------------|-----------------------------|
| DIMENSIONAL DATA | | | | | |
| MODEL SIZE | Dimensions | | | | |
| | UNIT HEIGHT "H"/in | UNIT WIDTH "W"/in | UNIT LENGTH "D"/in | SUPPLY DUCT "A"/in | LIQUID LINE / VAPOR LINE IN |
| 24K | 45.75 | 19.68 | 22.05 | 17.87 | 3/8" / 3/4" |

SHRDZ-24-ZERO | Solar HVAC Model "Z" Residential AHU Clearances

SHR*-Zero AHU Clearances | v 1.00 | 01/28/23



OPTIONAL ELECTRIC HEAT CLEARANCES

