



Solar HVAC 208/230V | Model "R" 4-Ton Condensing Unit

Part Number

SHRDR- 480\*00A000 - \*\*

Unit Type

D - Cooling Only

Voltage (\*)

G - 230 VAC 1Φ  
H - 230 VAC 3Φ

Options (\*\*)

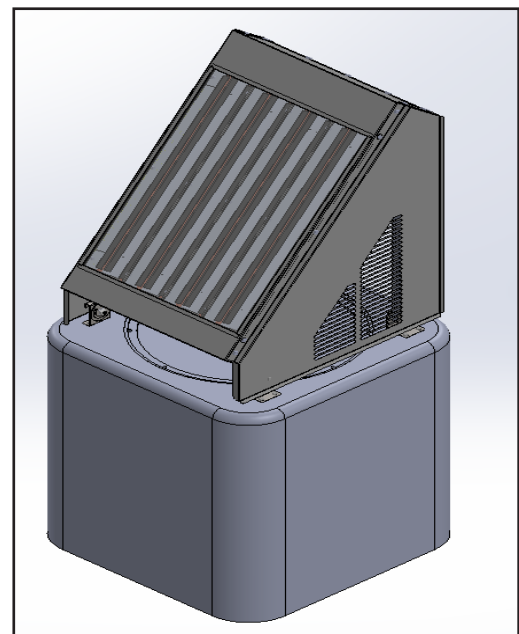
0 - No Options  
D - Condenser Coil Coating (UG)  
Y - Start Up  
7 - Phase Monitor

Description

A Solar HVAC Residential Unit is more than twice as efficient as a standard residential split unit.

A solar box equipped with chambers lined with specialty reflective film is mounted to the top of the condensing unit. Through a patented process, ambient light is converted to thermal energy which reduces the energy demand on the compressor.

Units come with a 1-year parts warranty and 10 year compressor warranty.





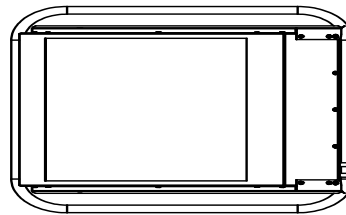
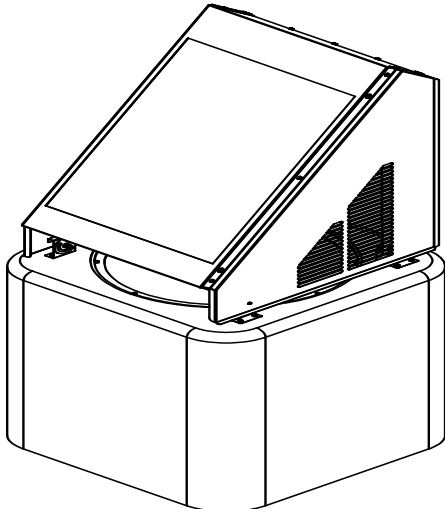
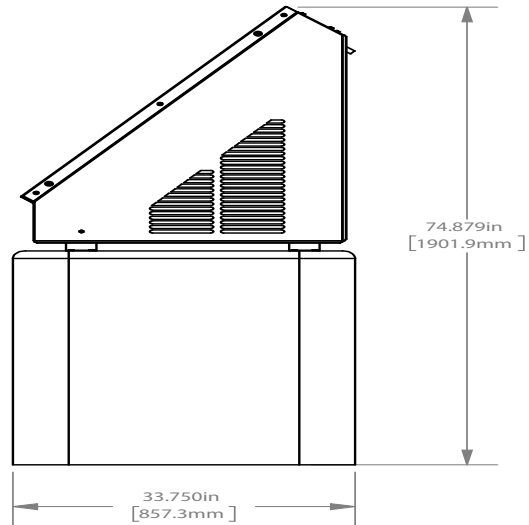
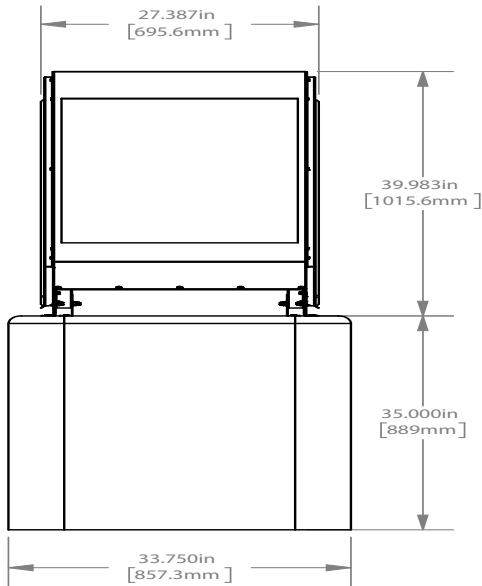
# Dimensions

## SHRDR-48 | Solar HVAC Model "R" Residential Condenser Dimensions

Model		SHRDR-48 (4 Ton)		(Outdoor Unit) Model		SHRDR-48 (4 Ton)					
Code		Outdoor Code		Outdoor Weight	Net - Lbs (kg)		327 (149)				
Outdoor Power Supply		V/Hz			*Gross - Lbs (kg)		352 (160)				
Cooling	Capacity	Btu/h		Electrical Data 208/230 1Φ	Minimum Circuit Ampacity		32.91 A				
		W			Max. Overcurrent Protection		50 A				
	EER		Btu/h, W		Minimum Circuit Ampacity		19 A				
SEER				Max. Overcurrent Protection		30 A					
Compressor		Type		Electrical Data 208/230 3Φ		Minimum Circuit Ampacity		19 A			
Outdoor Dimension		Packing (WxHxD)		Inch		37 1/4 x 37 1/4 x 80 3/4		Max. Overcurrent Protection		30 A	
						Outdoor Noise Level (dB(A))		55.1			
						Operation Temperatures (°F)		17 to 125			

**Note:**  
 Unit should be UL 1995 listed  
 Unit should be OG-100 Certified to the Solar certification on ICC901/SRCC100  
**Note:** Face solar panels south for optimal performance.

\* Gross = Net Weight + Shipping Box



## SHRDR-48 | Solar HVAC Model "R" Residential Condenser Clearances

### CLEARANCES

