



Solar HVAC 208/230V | Model "R" 3-Ton Condensing Unit

Part Number

SHRDR- 360*00A000 - **

Unit Type

D - Cooling Only

Voltage (*)

G - 230 VAC 1Φ
H - 230 VAC 3Φ

Options (**)

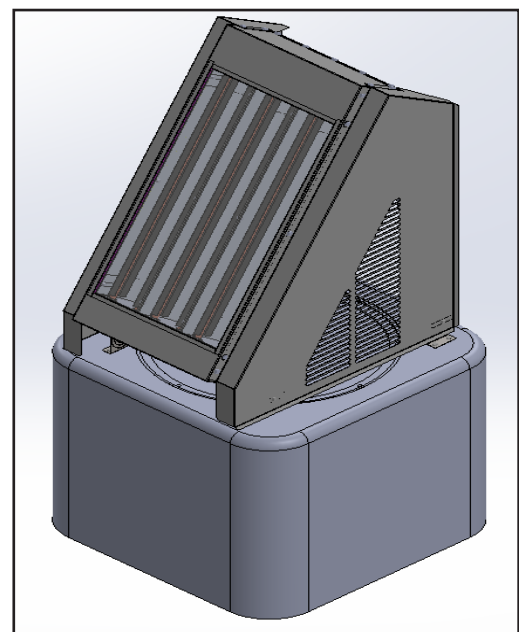
0 - No Options
D - Condenser Coil Coating (UG)
Y - Start Up
7 - Phase Monitor

Description

A Solar HVAC Residential Unit is more than twice as efficient as a standard residential split unit.

A solar box equipped with chambers lined with specialty reflective film is mounted to the top of the condensing unit. Through a patented process, ambient light is converted to thermal energy which reduces the energy demand on the compressor.

Units come with a 1-year parts warranty and 10 year compressor warranty.





Dimensions

SHRDR-36 | Solar HVAC Model "R" Residential Condenser Dimensions

Model		SHRDR-36 (3 Ton)	
Code	Outdoor Code		
Outdoor Power Supply	V/Hz	208-230V/60Hz	
Cooling	Capacity	Btu/h	35200
		W	2530
	EER	Btu/h, W	11.50
	SEER		14.00
Compressor	Type		Scroll
Outdoor Dimension	Packing (WxHxD)	Inch	37 1/4 x 37 1/4 x 72 3/4

(Outdoor Unit) Model		SHRDR-36 (3 Ton)
Outdoor Weight	Net - Lbs (kg)	246 (112)
	*Gross - Lbs (kg)	271 (123)
Electrical Data 208/230 1Φ	Minimum Circuit Ampacity	24.25 A
	Max. Overcurrent Protection	40 A
Electrical Data 208/230 3Φ	Minimum Circuit Ampacity	14 A
	Max. Overcurrent Protection	20 A
Outdoor Noise Level (dB(A))		58
Operation Temperatures (°F)		17 to 125

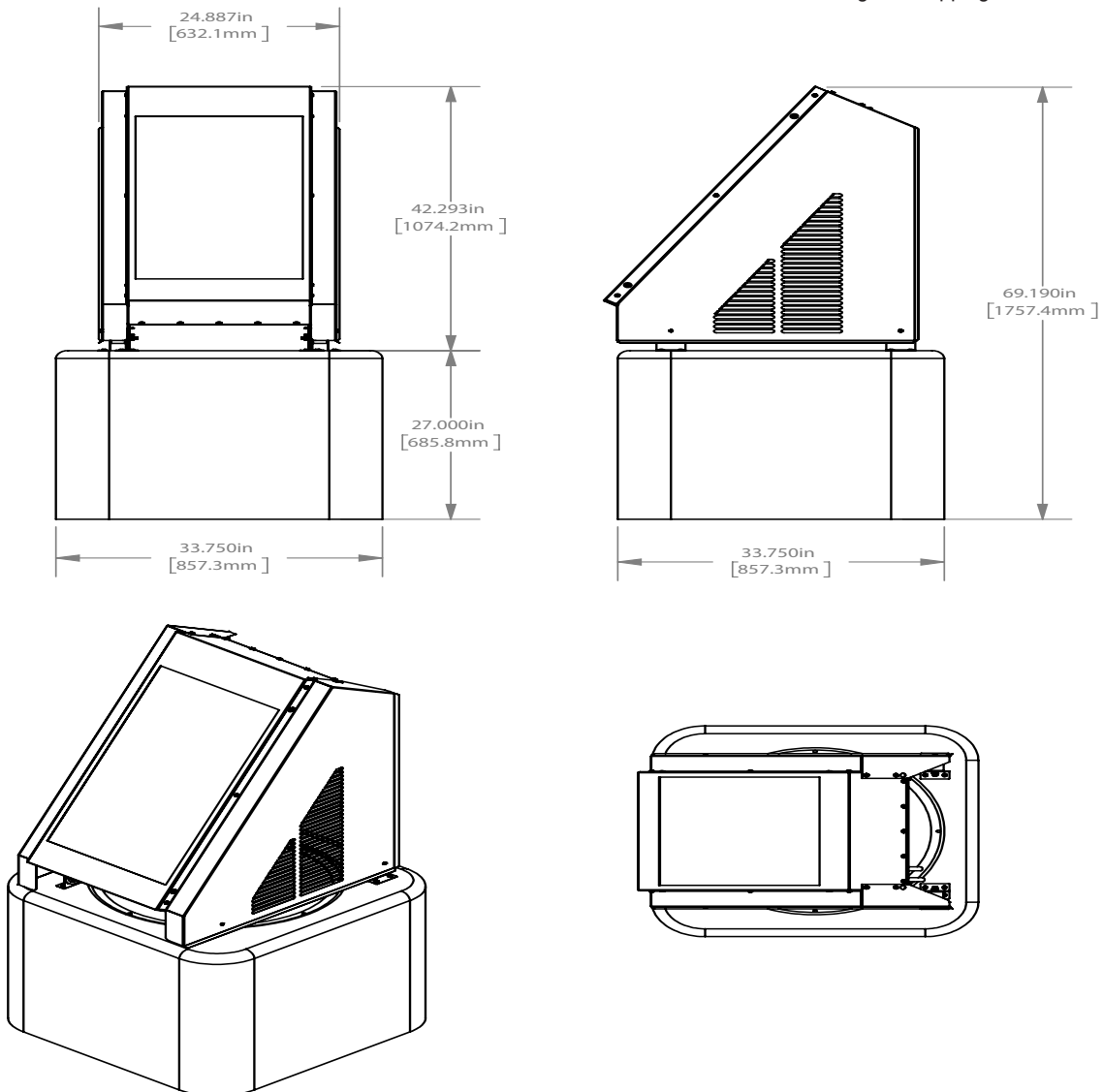
Note:

Unit should be UL 1995 listed

Unit should be OG-100 Certified to the Solar certification on ICC901/SRCC100

Note: Face solar panels south for optimal performance.

* Gross = Net Weight + Shipping Box



SHRDR-36 | Solar HVAC Model "R" Residential Condenser Clearances

CLEARANCES

