



Solar HVAC 208/230V | Model "L" 5-Ton Condensing Unit

Part Number

SHRDL- 600*00A000 - **

Unit Type

D - Cooling Only

Voltage (*)

G - 230 VAC 1Φ
H - 230 VAC 3Φ

Options (**)

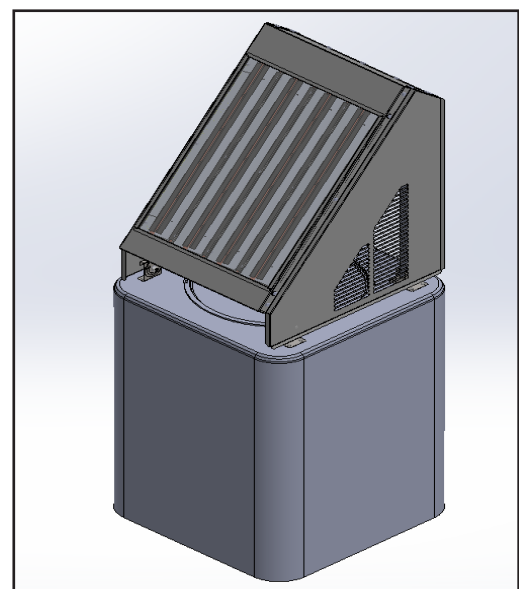
0 - No Options
D - Condenser Coil Coating (UG)
Y - Start Up
7 - Phase Monitor

Description

A Solar HVAC Residential Unit is more than twice as efficient as a standard residential split unit.

A solar box equipped with chambers lined with specialty reflective film is mounted to the top of the condensing unit. Through a patented process, ambient light is converted to thermal energy which reduces the energy demand on the compressor.

Units come with a 1-year parts warranty and 10 year compressor warranty.





Dimensions

SHRDL-60 | Solar HVAC Model "L" Residential Condenser Dimensions

Model		SHRDL-60 (5 Ton)	
Code	Outdoor Code		
Outdoor Power Supply	V/Hz	208-230V/60Hz	
Cooling	Capacity	Btu/h	58500
		W	3450
	EER	Btu/h, W	16.96
	SEER		16.00
Compressor	Type		Scroll
Outdoor Dimension	Packing (WxHxD)	Inch	35 3/4 x 35 3/4 x 89

(Outdoor Unit) Model		SHRDL-60 (5 Ton)	
Outdoor Weight	Net - Lbs (kg)	395 (180)	
	*Gross - Lbs (kg)	420 (191)	
Electrical Data 208/230 1Φ	Minimum Circuit Ampacity	36.75 A	
	Max. Overcurrent Protection	50 A	
Electrical Data 208/230 3Φ	Minimum Circuit Ampacity	21.22 A	
	Max. Overcurrent Protection	30 A	
Outdoor Noise Level (dB(A))		73.8	
Operation Temperatures (°F)		-10 to 125	

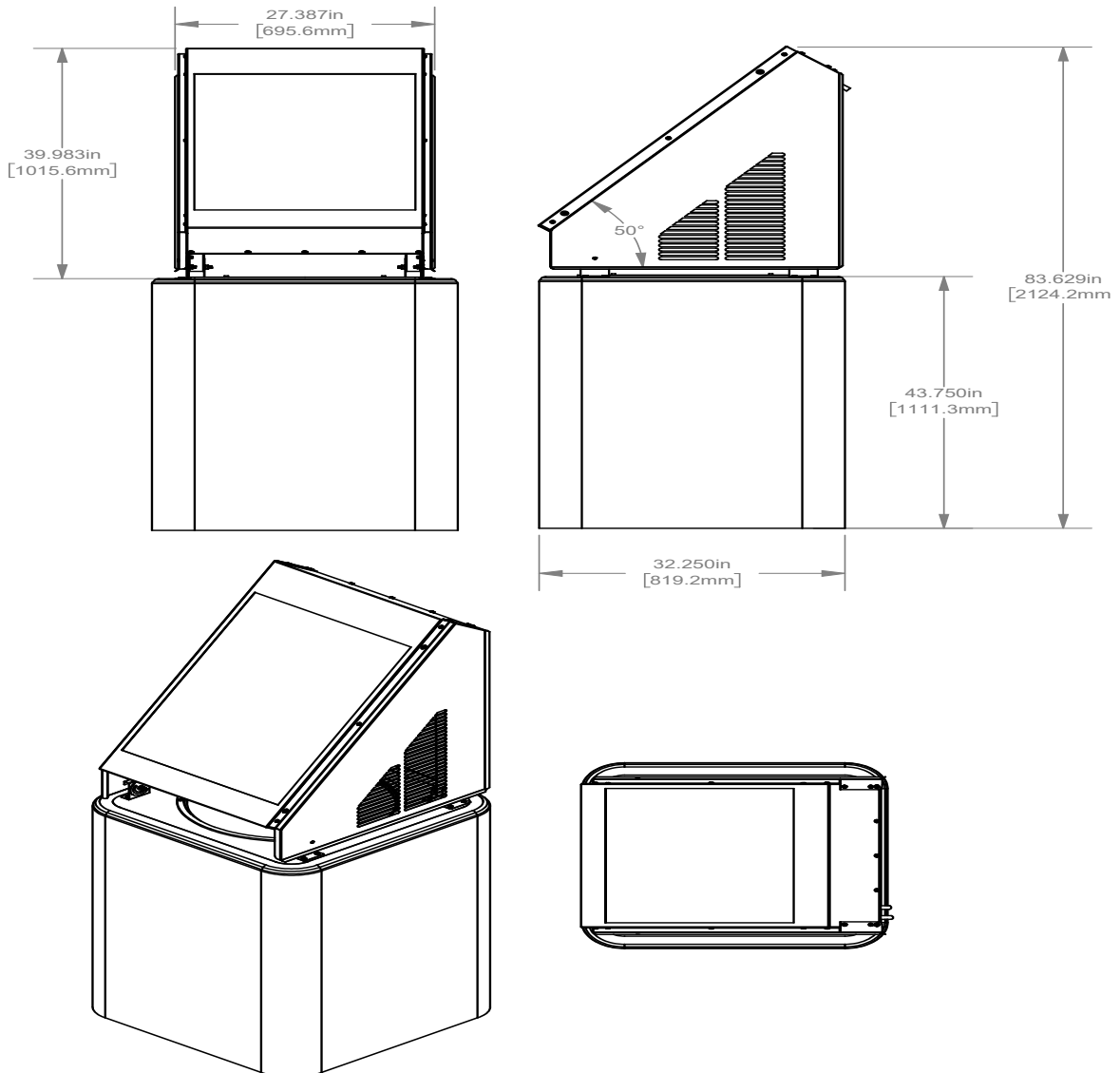
Note:

Unit should be UL 1995 listed

Unit should be OG-100 Certified to the Solar certification on ICC901/SRCC100

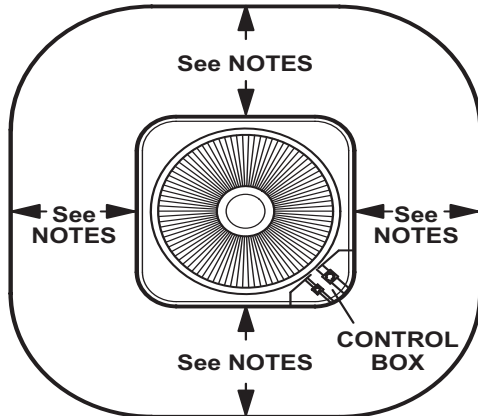
Note: Face solar panels south for optimal performance.

* Gross = Net Weight + Shipping Box



SHRDL-60 | Solar HVAC Model "L" Residential Condenser Clearances

INSTALLATION CLEARANCES



NOTES:

Service clearance of 30 in. (762 mm) must be maintained on one of the sides adjacent to the control box.

Clearance to one of the other three sides must be 36 in. (914 mm)

Clearance to one of the remaining two sides may be 12 in. (305 mm) and the final side may be 6 in. (152 mm).

A clearance of 24 in. must be maintained between two units. 48 in. (1219 mm) clearance required on top of unit.