



Solar HVAC 208/230V | Model "L" 4-Ton Condensing Unit

Part Number

SHRPL- 480*00A000 - **

Unit Type
P - Heat Pump

Voltage (*)
G - 230 VAC 1Φ
H - 230 VAC 3Φ

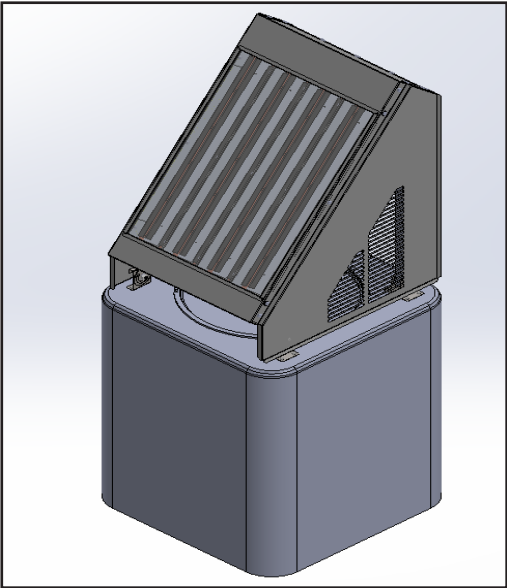
Options ()**
0 - No Options
D - Condenser Coil Coating (UG)
Y - Start Up
7 - Phase Monitor

Description

A Solar HVAC Residential Unit is more than twice as efficient as a standard residential split unit.

A solar box equipped with chambers lined with specialty reflective film is mounted to the top of the condensing unit. Through a patented process, ambient light is converted to thermal energy which reduces the energy demand on the compressor.

Units come with a 1-year parts warranty and 10 year compressor warranty.





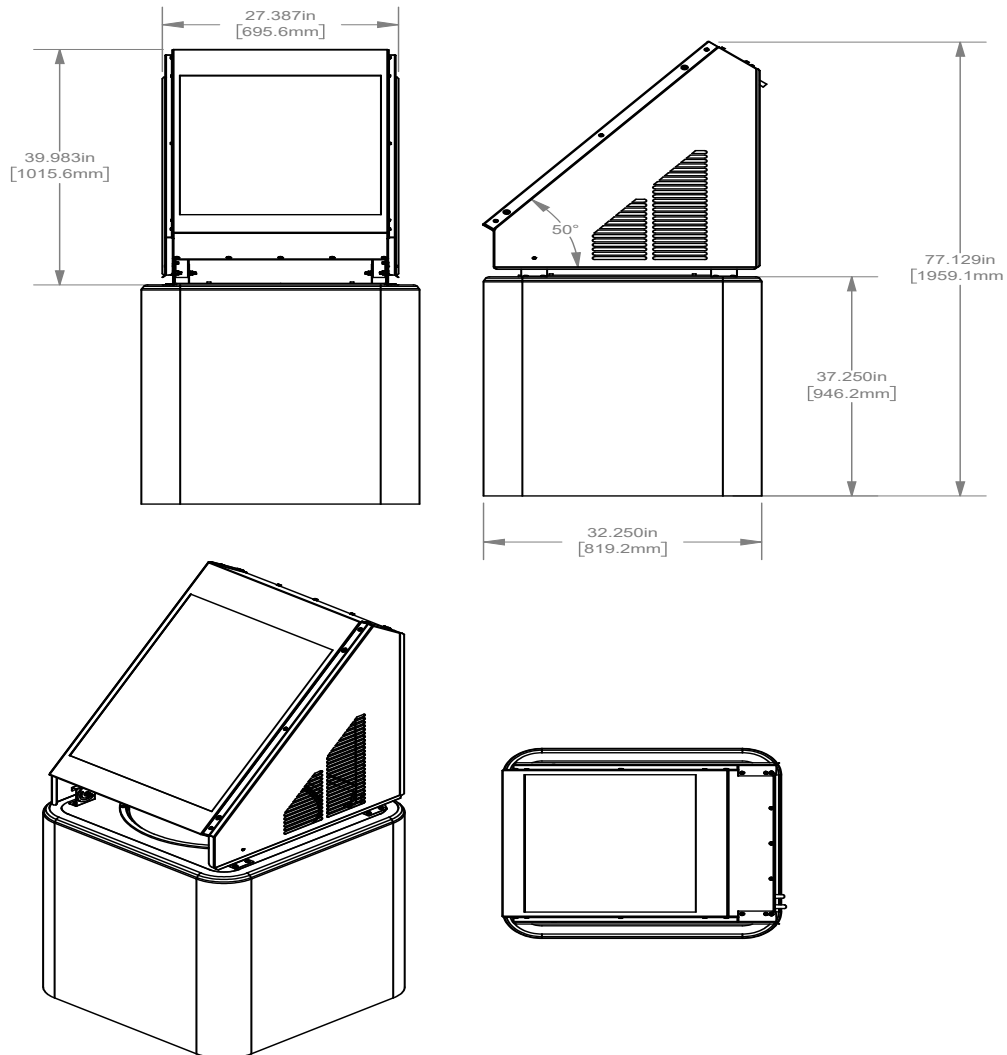
Dimensions

SHRPL-48 | Solar HVAC Model "L" Residential Condenser Dimensions

| Model | | SHRPL-48 (4 Ton) | | (Outdoor Unit) Model | | SHRPL-48 (4 Ton) | | | | |
|----------------------|-----------------|------------------|----------------------|----------------------|-------------------------------|-------------------------------|--------------------------|------------|--|--|
| Code | | Outdoor Code | | Outdoor Weight | Net - Lbs (kg) | 373 (170) | | | | |
| Outdoor Power Supply | | V/Hz | | | *Gross - Lbs (kg) | | 398 (181) | | | |
| Cooling | Capacity | Btu/h | 45450 | | Electrical Data 208/230 1φ | Minimum Circuit Ampacity | 31.90 A | | | |
| | | W | 3565 | | | Max. Overcurrent Protection | 50 A | | | |
| | EER | Btu/h, W | | 12.75 | | Electrical Data 208/230 3φ | Minimum Circuit Ampacity | 18.42 A | | |
| SEER | | | 16.00 | | Max. Overcurrent Protection | | 30 A | | | |
| Heating | Capacity | Btu/h | | 44250 | | Outdoor Noise Level (dB(A)) | | 68.8 | | |
| | COP | Btu/h.W | | 3.64 | | Operation Temperatures (°F) | | -10 to 125 | | |
| | HSPF | | | 9.00 | | | | | | |
| Compressor | Type | | | Scroll | | | | | | |
| Outdoor Dimension | Packing (WxHxD) | Inch | 35 3/4 x 35 3/4 x 83 | | | | | | | |

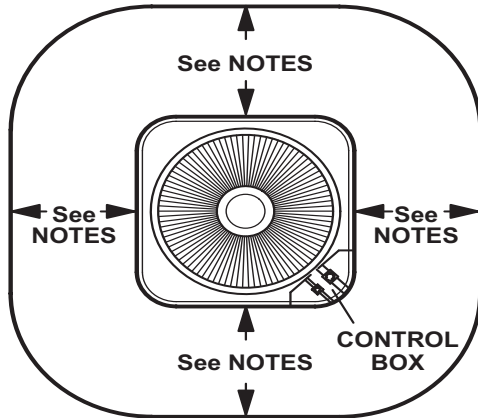
Note:
 Unit should be UL 1995 listed
 Unit should be OG-100 Certified to the Solar certification on ICC901/SRCC100

* Gross = Net Weight + Shipping Box
Note: Face solar panels south for optimal performance.
Note: Calculated E COP value with solar panel: 4.11



SHRPL-48 | Solar HVAC Model "L" Residential Condenser Clearances

INSTALLATION CLEARANCES



NOTES:

Service clearance of 30 in. (762 mm) must be maintained on one of the sides adjacent to the control box.

Clearance to one of the other three sides must be 36 in. (914 mm)

Clearance to one of the remaining two sides may be 12 in. (305 mm) and the final side may be 6 in. (152 mm).

A clearance of 24 in. must be maintained between two units. 48 in. (1219 mm) clearance required on top of unit.