



Solar HVAC 208/230V | Model "L" 3-Ton Condensing Unit

Part Number

SHRPL- 360\*00A000 - \*\*

Unit Type

P - Heat Pump

Voltage (\*)

G - 230 VAC 1Φ  
H - 230 VAC 3Φ

Options (\*\*)

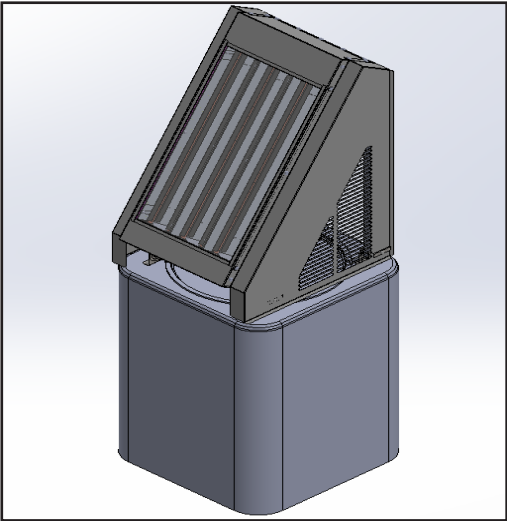
0 - No Options  
D - Condenser Coil Coating (UG)  
Y - Start Up  
7 - Phase Monitor

Description

A Solar HVAC Residential Unit is more than twice as efficient as a standard residential split unit.

A solar box equipped with chambers lined with specialty reflective film is mounted to the top of the condensing unit. Through a patented process, ambient light is converted to thermal energy which reduces the energy demand on the compressor.

Units come with a 1-year parts warranty and 10 year compressor warranty.





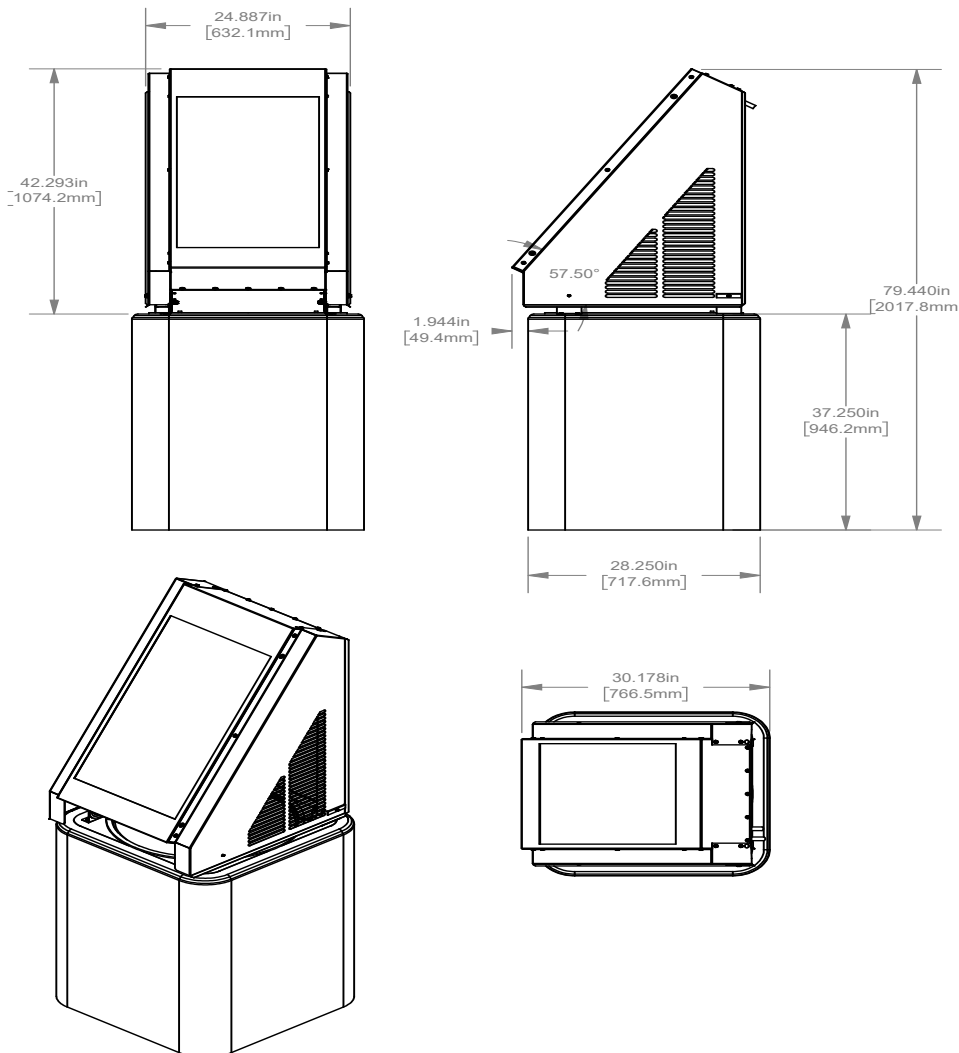
# Dimensions

## SHRPL-36 | Solar HVAC Model "L" Residential Condenser Dimensions

Model		SHRPL-36 (3 Ton)		(Outdoor Unit) Model		SHRPL-36 (3 Ton)		
Code		Outdoor Code		Outdoor Weight		Net - Lbs (kg)		
Outdoor Power Supply		V/Hz		*Gross - Lbs (kg)		304 (138)		
Cooling	Capacity	Btu/h		Minimum Circuit Ampacity		21.79 A		
		W		Max. Overcurrent Protection		35 A		
	EER		Btu/h, W		Electrical Data 208/230 1φ		14.09	
SEER				Electrical Data 208/230 3φ		12.58 A		
Heating	Capacity		Btu/h		Max. Overcurrent Protection		20 A	
	COP		Btu/h.W		Outdoor Noise Level (dB(A))		71.8	
	HSPF				Operation Temperatures (°F)		-10 to 125	
Compressor		Type				Scroll		
Outdoor Dimension		Packing (WxHxD)		Inch		31 3/4 x 31 3/4 x 83		

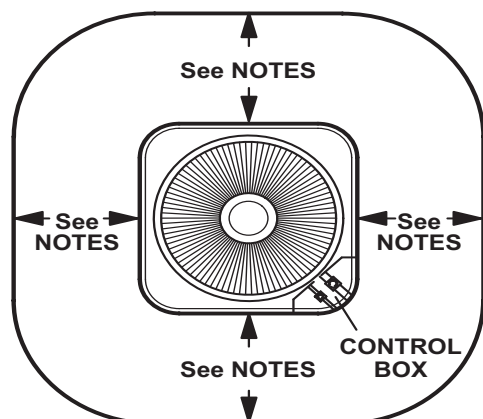
**Note:**  
 Unit should be UL 1995 listed  
 Unit should be OG-100 Certified to the Solar certification on ICC901/SRCC100

\* Gross = Net Weight + Shipping Box  
**Note:** Face solar panels south for optimal performance.  
**Note:** Calculated E COP value with solar panel: 4.11



## SHRPL-36 | Solar HVAC Model "L" Residential Condenser Clearances

### INSTALLATION CLEARANCES



#### NOTES:

Service clearance of 30 in. (762 mm) must be maintained on one of the sides adjacent to the control box.

Clearance to one of the other three sides must be 36 in. (914 mm)

Clearance to one of the remaining two sides may be 12 in. (305 mm) and the final side may be 6 in. (152 mm).

A clearance of 24 in. must be maintained between two units. 48 in. (1219 mm) clearance required on top of unit.