



Solar HVAC 208/230V | Model "D" 5-Ton Condensing Unit

Part Number

SHRPD- 600*00A000 - **

Unit Type

P - Heat Pump

Voltage (*)

G - 230 VAC 1Φ
H - 230 VAC 3Φ

Options (**)

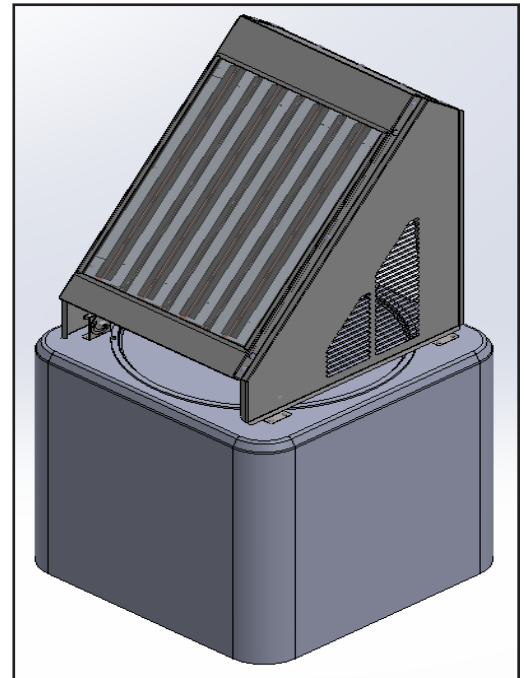
0 - No Options
D - Condenser Coil Coating (UG)
Y - Start Up
7 - Phase Monitor

Description

A Solar HVAC Residential Unit is more than twice as efficient as a standard residential split unit.

A solar box equipped with chambers lined with specialty reflective film is mounted to the top of the condensing unit. Through a patented process, ambient light is converted to thermal energy which reduces the energy demand on the compressor.

Units come with a 1-year parts warranty and 10 year compressor warranty.





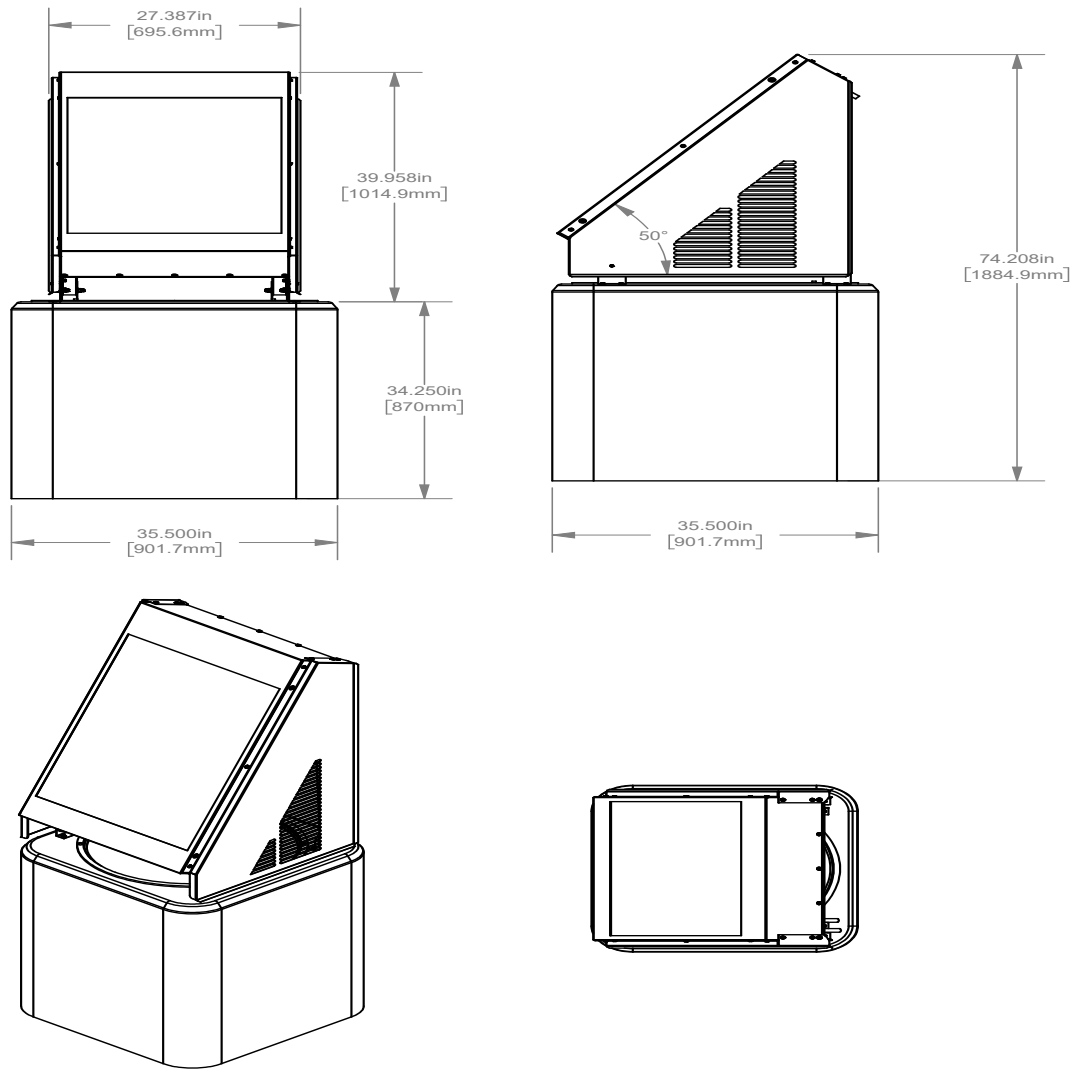
Dimensions

SHRPD-60 | Solar HVAC Model "D" Residential Condenser Dimensions

Model		SHRPD-60 (5 Ton)		(Outdoor Unit) Model		SHRPD-60 (5 Ton)		
Code		Outdoor Code		Outdoor Weight		Net - Lbs (kg)		
Outdoor Power Supply		V/Hz		*Gross - Lbs (kg)		362 (165)		
Cooling	Capacity	Btu/h		Minimum Circuit Ampacity		37.24 A		
		W		Max. Overcurrent Protection		60 A		
	EER		Btu/h, W		Electrical Data 208/230 1φ		21.5 A	
SEER				Minimum Circuit Ampacity		35 A		
Heating	Capacity		Btu/h		Max. Overcurrent Protection		75	
	COP		Btu/h.W		Electrical Data 208/230 3φ		-10 to 115	
	HSPF				Outdoor Noise Level (dB(A))			
Compressor		Type		Operation Temperatures (°F)				
Outdoor Dimension		Packing (WxHxD)		Inch		39 x 39 x 80		

Note:
 Unit should be UL 1995 listed
 Unit should be OG-100 Certified to the Solar certification on ICC901/SRCC100

* Gross = Net Weight + Shipping Box
Note: Face solar panels south for optimal performance.
Note: Calculated E COP value with solar panel: 4.11

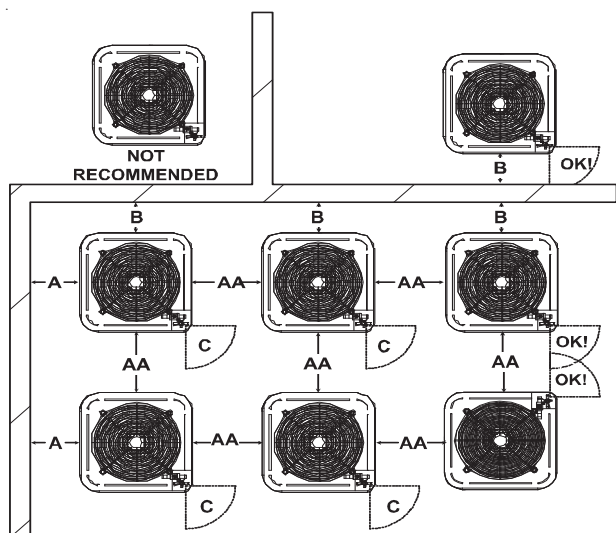


SHRPD-60 | Solar HVAC Model "D" Residential Condenser Clearances

Installation Clearances

Another important consideration in selecting a location for the unit(s) is the angle to obstructions. Either side adjacent the valves can be placed toward the structure provided the side away from the structure maintains minimum service clearance. Corner in-installations are strongly discouraged.

Special consideration must be given to location of the condensing unit(s) in regard to structures, obstructions, other units, and any/all other factors that may interfere with air circulation. Where possible, the top of the unit should be completely unobstructed; however, if vertical conditions require placement beneath an obstruction there should be a minimum of 60 inches between the top of the unit and the obstruction(s). The specified dimensions meet requirements for air circulation only. Consult all appropriate regulatory codes prior to determining final clearances.



Minimum Airflow Clearance				
Model Type	A	B	C	AA
Residential	10"	10"	18"	20"

This unit can be located at ground floor level or on flat roofs. At ground floor level, the unit must be on a solid, level foundation that will not shift or settle. To reduce the possibility of sound transmission, the foundation slab should not be in contact with or be an integral part of the building foundation. Ensure the foundation is sufficient to support the unit. A concrete slab raised above ground level provides a suitable base.

Rooftop Installations

If it is necessary to install this unit on a roof structure, ensure the roof structure can support the weight and that proper consideration is given to the weather-tight integrity of the roof. Since the unit can vibrate during operation, sound vibration transmission should be considered when installing the unit. Vibration absorbing pads or springs can be installed between the condensing unit legs or frame and the roof mounting assembly to reduce noise vibration.

NOTE: These units require special location consideration in areas of heavy snow accumulation and/or areas with prolonged continuous subfreezing temperatures. Heat pump unit bases have cutouts under the outdoor coil that permit drainage of frost accumulation. Situate the unit to permit free unobstructed drainage of the defrost water and ice.