



Solar HVAC 208/230V | Model "Y" 4-Ton Condensing Unit

Part Number

SHRPY- 480*00A000 - **

Unit Type

P - Heat Pump

Voltage (*)

G - 230 VAC 1Φ
H - 230 VAC 3Φ

Options (**)

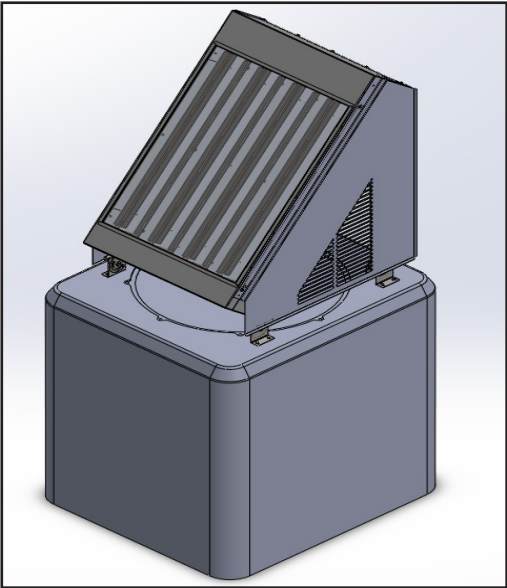
0 - No Options
D - Condenser Coil Coating (UG)
Y - Start Up
7 - Phase Monitor

Description

A Solar HVAC Residential Unit is more than twice as efficient as a standard residential split unit.

A solar box equipped with chambers lined with specialty reflective film is mounted to the top of the condensing unit. Through a patented process, ambient light is converted to thermal energy which reduces the energy demand on the compressor.

Units come with a 1-year parts warranty and 10 year compressor warranty.





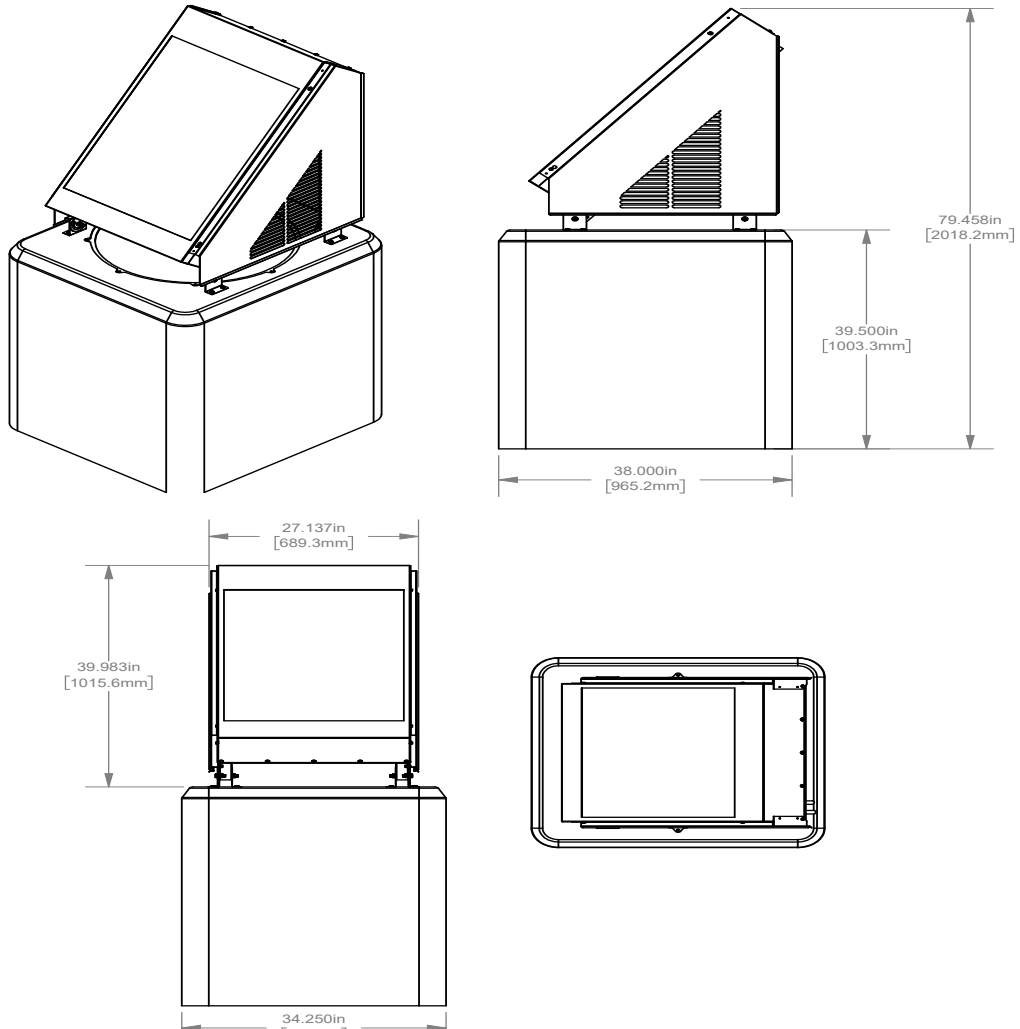
Dimensions

SHRPY-48 | Solar HVAC Model "Y" Residential Condenser Dimensions

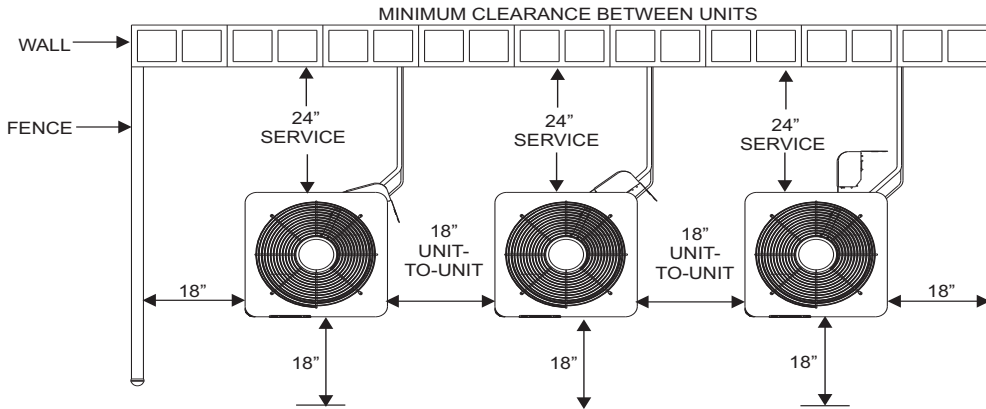
Model		SHRPY-48 (4 Ton)		(Outdoor Unit) Model		SHRPY-48 (4 Ton)				
Code		Outdoor Code		Outdoor Weight	Net - Lbs (kg)	335 (152)				
Outdoor Power Supply		V/Hz			*Gross - Lbs (kg)	360 (164)				
Cooling	Capacity	Btu/h	48000		Electrical Data 208/230 1Φ	Minimum Circuit Ampacity	31.90 A			
		W	4174			Max. Overcurrent Protection	50 A			
	EER	Btu/h, W		12		Electrical Data 208/230 3Φ	Minimum Circuit Ampacity	18.42 A		
SEER			14.25		Max. Overcurrent Protection		30 A			
Heating	Capacity	Btu/h		48000		Outdoor Noise Level (dB(A))		68.8		
	COP	Btu/h.W		3.58		Operation Temperatures (°F)		-10 to 125		
	HSPF			9.0						
Compressor	Type			Scroll						
Outdoor Dimension	Packing (WxHxD)	Inch	41 1/2 x 37 3/4 x 85 1/4							

Note: Unit should be UL 1995 listed
 Unit should be OG-100 Certified to the Solar certification on ICC901/SRCC100

* Gross = Net Weight + Shipping Box
Note: Face solar panels south for optimal performance.
Note: Calculated E COP value with solar panel: 4.11

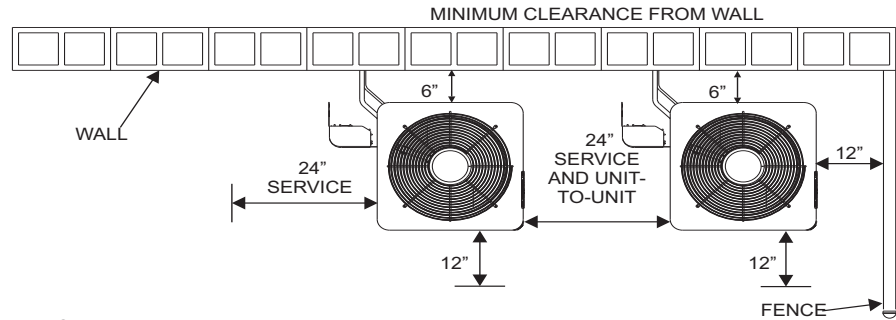


SHRPy-48 | Solar HVAC Model "Y" Residential Condenser Clearances



NOTE:
 Clearance between two units may be reduced to 18" minimum provided the service access clearance is increased to 24" minimum, and the clearance on each remaining side is maintained at 18" minimum.

NOTE:
 Clearance to one side of the unit may be reduced to 6" provided the clearance to each remaining side is increased to 12" minimum, the service access is increased to 24" minimum, and the clearances between any two units is maintained at 24" minimum.



CAUTION:
 Special care must be taken to avoid recirculation of discharge air through condenser coil.