



Solar HVAC 230V | Model "C" 5-Ton Condensing Unit

Part Number

SHRPC- 600*00A000 - **

Unit Type

P - Heat Pump

Voltage (*)

G - 230 VAC 1Φ
H - 230 VAC 3Φ

Options (**)

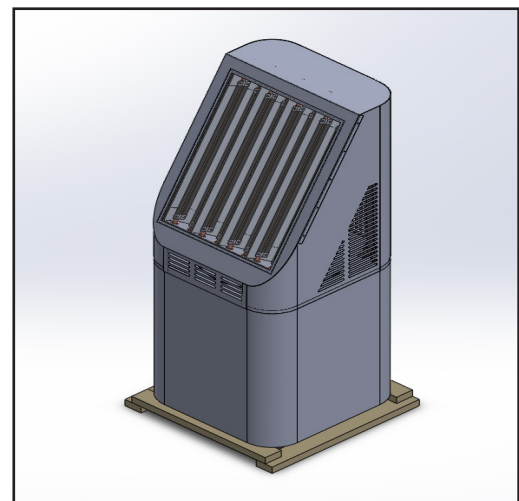
0 - No Options
D - Condenser Coil Coating (UG)
Y - Start Up
7 - Phase Monitor

Description

A Solar HVAC Residential Unit is more than twice as efficient as a standard residential split unit.

A solar box equipped with chambers lined with specialty reflective film is mounted to the top of the condensing unit. Through a patented process, ambient light is converted to thermal energy which reduces the energy demand on the compressor.

ultraRES takes the highest efficiency condensing unit (made with the patented solar HVAC system) and pairs it with an air handling unit that comes equipped with a 4" filter box with a MERV 13 filter and VOC sensor. The 4" MERV 13 filter provides more than 4 times the filter efficiency of a standard 1" pleated filter. The VOC sensor is mounted in the space and provides the owner with feedback on how clean or dirty the air is inside the space.



Units come with a 1-year parts warranty and 10 year compressor warranty.



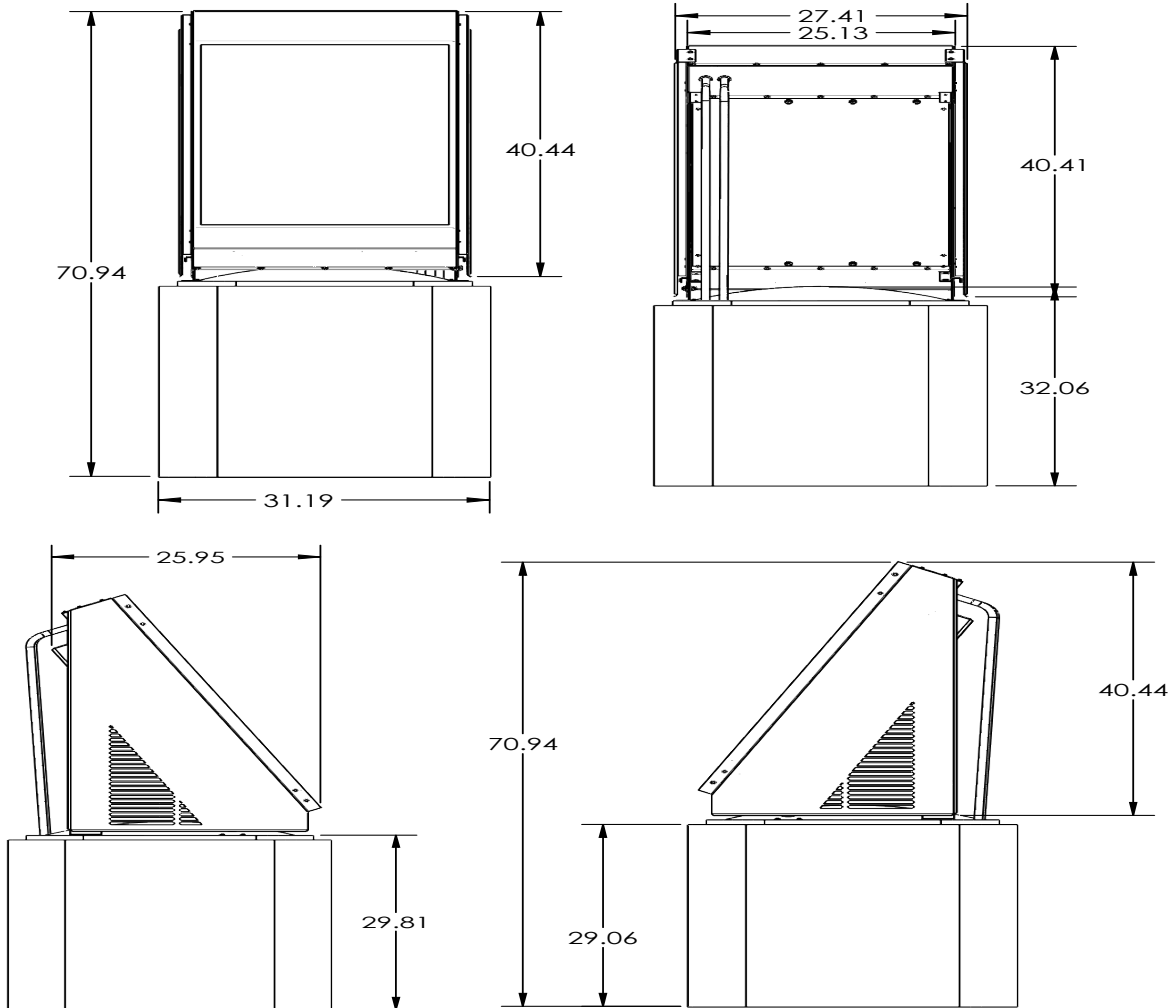
Dimensions

SHRPC-60 | Solar HVAC Model "C" Residential Condenser Dimensions

Model		SHRPC-60 (5 Ton)		(Outdoor Unit) Model		SHRPC-60 (5 Ton)		
Code		Outdoor Code		Outdoor Weight		Net - Lbs (kg)		
Outdoor Power Supply		V/Hz		*Gross - Lbs (kg)		312 (142)		
Cooling	Capacity	Btu/h		Minimum Circuit Ampacity		32 A		
		W		Max. Overcurrent Protection		50 A		
	EER		Btu/h, W		Minimum Circuit Ampacity		21.5 A	
SEER				Max. Overcurrent Protection		30 A		
Heating	Capacity		Btu/h		Outdoor Noise Level (dB(A))		76	
	COP		Btu/h.W		Operation Temperatures (°F)		125	
	HSPF							
Compressor		Type						
Outdoor Dimension		Packing (WxHxD)		Inch		32-3/8 x 32-3/8 x 76		

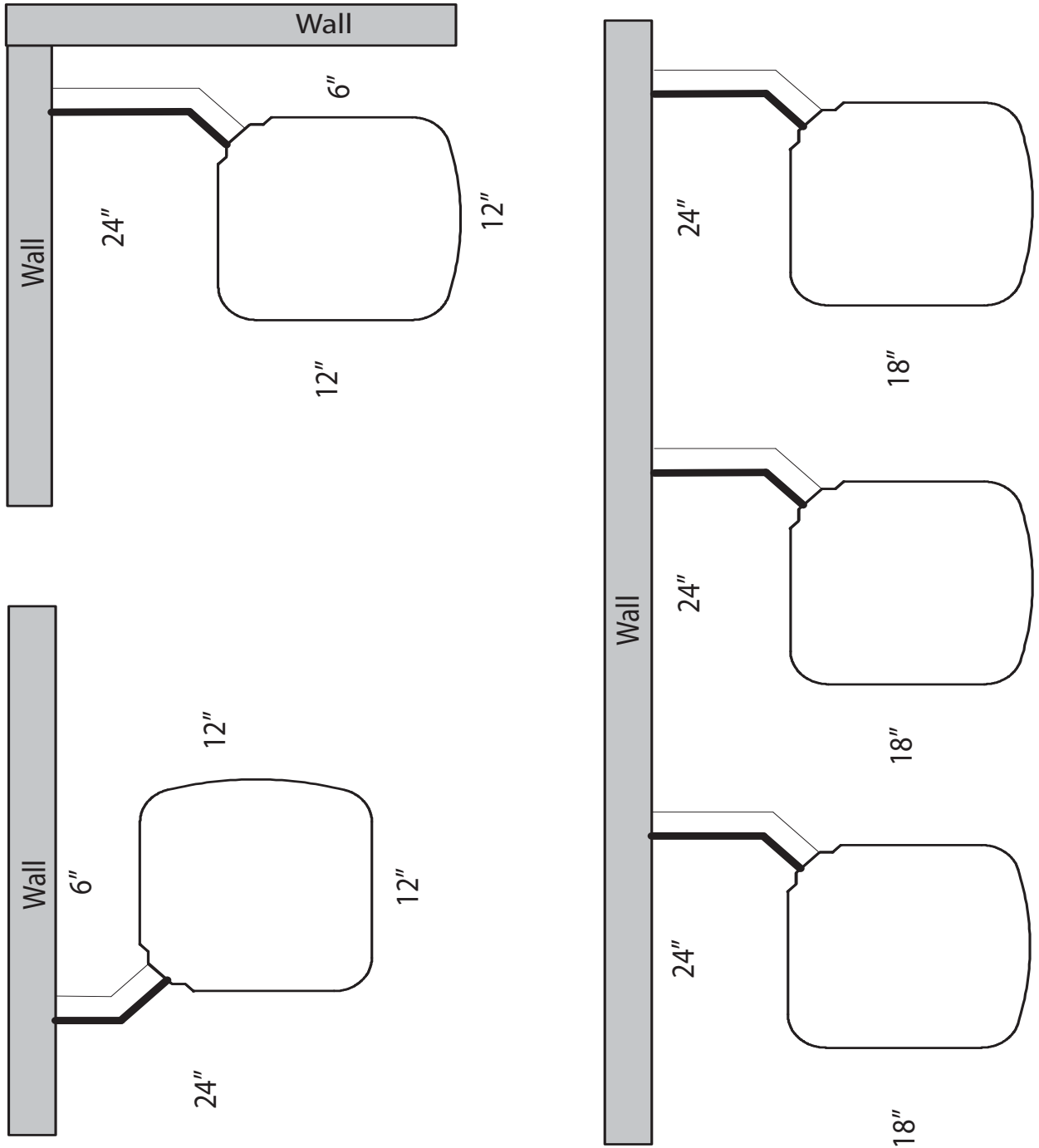
Note:
 Unit should be UL 1995 listed
 Unit should be OG-100 Certified to the Solar certification on ICC901/SRCC100

* Gross = Net Weight + Shipping Box
Note: Face solar panels south for optimal performance.
Note: Calculated E COP value with solar panel: 4.21



SHRPC-60 | Solar HVAC Model "C" Residential Condenser Clearances

SHR*-** Clearances | v 2.00 | 05/20/22



* - Unit Type (Cooling Only (D) or Heat Pump (P))

** - BTU's - x 1000 (24, 36, 48, 60)