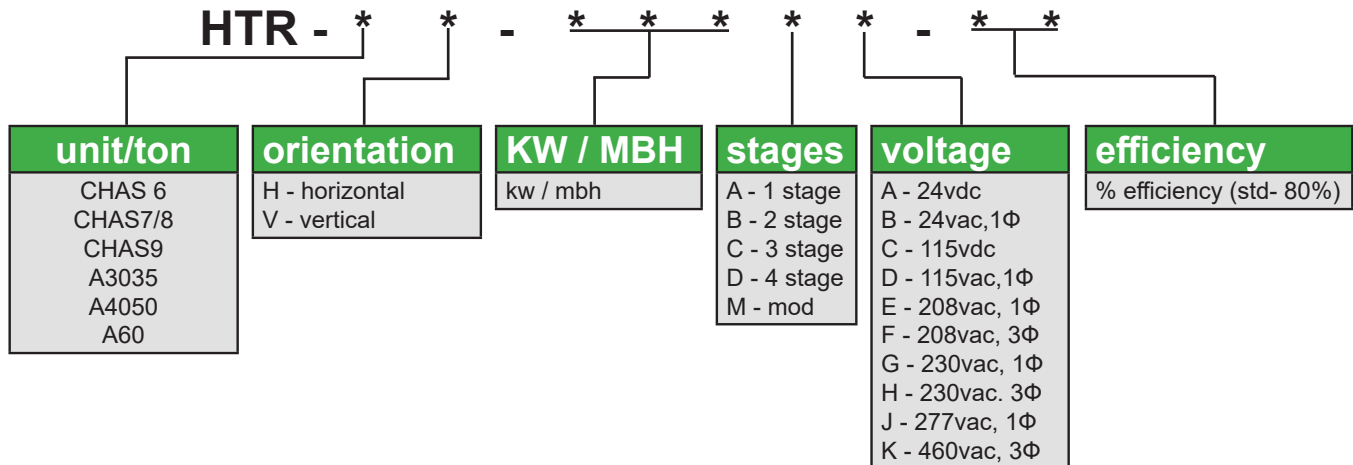


High Gas Heat

Part Number



Description

Takes a customer's existing rooftop unit and enables it to have more gas heat so it can run in colder climates. This also allows a customer to make a hybrid unit with a heat pump that would convert over to a gas unit when it gets too cold, allowing for a more efficient use of utilities and thus resultant energy savings.