



Product Data

EC-BOXC-***0-* | Lennox Economizer

Description

PLEASE NOTE: Our economizer is a low leak, field installed economizer with the iAIRE patented controls packages and actuator, allowing you to reduce the amount of outside air needed from your rooftop HVAC system by up to 2/3 and will improve indoor air quality.

This reduction in system operation creates on-going utility savings. Payback on capital equipment costs with an iAIRE economizer can be realized in fewer than three years. These packages are designed to work directly on existing rooftop HVAC systems.

These economizers are all low leak and meet the IECC 2015 requirement and are Title 24 compliant by meeting section 120.2(i) for the required controls and the efficiency requirements in 140.4(e).

| BOXC to RTU Conversion | |
|------------------------|------------------------------------|
| BOXC | KGA/KCA 180-300 LGH/LCH 156-300 |

Part Number

EC - 1 - 2 3 4 5 - 6

| type | unit/ton (1) | | | | | | | |
|-----------------|--------------|---------------|--------|---------|--------|-----------|-------|---------|
| EC - ECONOMIZER | 26 | 6075 | CHAS12 | A-BOX | FND35 | PREC810 | AFF | SCL34 |
| | 712 | 100 | CHAS34 | B-BOX | PACK13 | VOY12 | LXS | SCLHE12 |
| | 1525 | 125 | CHAS5 | C-BOX | PREC35 | VOY12HE | LXL | SCLHE34 |
| | 3050 | 150 | CHAS69 | D-BOX | PREC48 | VOY1525HE | SCS12 | PRED |
| | | Controls Only | E-BOX | PREC610 | | SCS34 | PRES | |
| | | Carrier | F-BOX | | | SCSHE12 | SL | |
| | | | Lennox | | | SCSHE34 | SLL | |
| | | | | | | SCL12 | SLU | |
| | | | | | | | York | |

| configuration (2) |
|--|
| 0 - NO ECON C - CONVERTIBLE H - HORIZONTAL V - VERTICAL |

| actuator (3) |
|--|
| 0 - NO ACTUATOR A - 20 IN-LB B - 62 IN-LB C - 160 IN-LB |

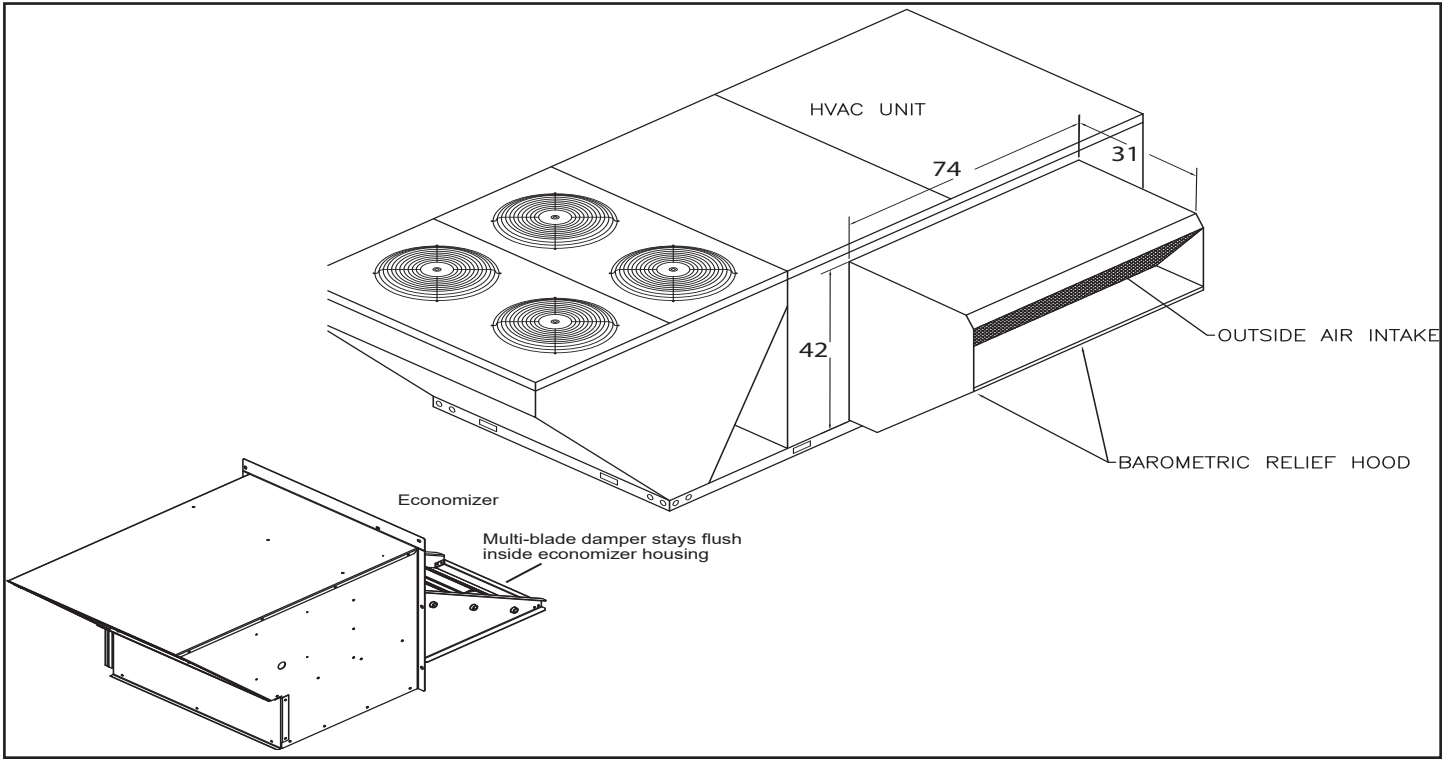
| controls (4) |
|--|
| 0 - ECON ONLY A - IAQ B - IAQ (NO IONIZATION) D - DCV |

| power exhaust (5) |
|--|
| 0 - NO POWER EXHAUST A - 208/230V 1Φ FIXED PE B - 208/230V 3Φ FIXED PE C - 460V 3Φ FIXED PE |

| options (6) |
|--|
| 0 - NONE B - HUMIDITY C - BACNET D - BLDG PRESSURE* R - RTU OPEN U - ULTRA LOW LEAK |

Note: By adding option "D" any powered exhaust will be modulating.

EC - BOXC - VBA0 - * | Lennox Economizer



Electrical Data

| PART # | Weight |
|----------------|----------|
| EC-BOXC-VBA0-* | 350 lbs. |

| PART | AMPS | PART | AMPS | TOTAL |
|----------|------|----------|------|-------|
| ACTUATOR | .29A | CONTROLS | .44A | .73A |

| *OPTIONS |
|------------------------|
| 0 - No Options |
| B - Humidity/Enthalpic |
| C - BACNet |

Features

- **iAIRE Patented Controls Scheme Included**
- Low Leak Damper Included
- VOC, CO2 and Ionization included
- Heavy Gauge Galvanized Steel Construction
- American Sterling Grey Paint Finish
- One Piece Assembly
- Gear Driven Dampers
- Uses HVAC Unit Filter Access Door
- Capable of Relieving up to 100% of the Outside Air Intake

Economizers with Indoor Air Quality control are Title 24 compliant by meeting section 120.2(i) for the required controls and the efficiency requirements in 140.4(e). They also meet California ozone emissions requirements to be CARB certified.