



**YORK SLL  
CONVERTIBLE  
ECONOMIZERS  
I/O/M MANUAL**

## Table of Contents

<b>York Economizer Description.....</b>	<b>3</b>
<b>SLL 15 to 25 Ton Unit Convertible Submittal.....</b>	<b>4</b>
<b>SLL Convertible Install.....</b>	<b>5</b>
<b>Additional Install Notes.....</b>	<b>7</b>

**For information on iAIRE’s Economizer Controls Package,  
please refer to IOM-0014**

## York Economizer Description

**PLEASE NOTE:** Our economizer is a low leak, field installed economizer with the iAIRE patented controls packages and actuator, allowing you to reduce the amount of outside air needed from your rooftop HVAC system by up to 2/3 and will improve indoor air quality.

This reduction in system operation creates on-going utility savings. Payback on capital equipment costs with an iAIRE economizer can be realized in fewer than three years. These packages are designed to work directly on existing rooftop HVAC systems.

These economizers are all low leak and meet the IECC 2015 requirement and are Title 24 compliant by meeting section 120.2(i) for the required controls and the efficiency requirements in 140.4(e).

Unit to RTU Conversion	
SL-C	ZE, ZR, XN, XP 036-060, ZF 036-072
SLL-C	ZJ, ZR 180-300; XP 180-240; ZF 210-300
SLU-C	ZF 180

### Part Number

**EC - 1 - 2 3 4 5 - 6**

type	unit/ton (1)							
EC - ECONOMIZER	26	6075	CHAS12	A-BOX	FND35	PREC810	AFF	SCL34
	712	100	CHAS34	B-BOX	PACK13	VOY12	LXS	SCLHE12
	1525	125	CHAS5	C-BOX	PREC35	VOY12HE	LXL	SCLHE34
	3050	150	CHAS69	D-BOX	PREC48	VOY1525HE	SCS12	PRED
	Controls Only	Carrier	E-BOX	F-BOX	PREC610	Trane	SCS34	PREDS
			Lennox				SCSHE12	SL
							SCSHE34	SLL
							SCL12	SLU
								York

### configuration (2)

0 - NO ECON  
C - CONVERTIBLE  
H - HORIZONTAL  
V - VERTICAL

### actuator (3)

0 - NO ACTUATOR  
A - 20 IN-LB  
B - 62 IN-LB  
C - 160 IN-LB

### controls (4)

0 - ECON ONLY  
A - IAQ  
B - IAQ (NO IONIZATION)  
D - DCV

### power exhaust (5)

0 - NO POWER EXHAUST  
A - 208/230V 1Φ FIXED PE  
B - 208/230V 3Φ FIXED PE  
C - 460V 3Φ FIXED PE

### options (6)

0 - NONE  
B - HUMIDITY  
C - BACNET  
D - BLDG PRESSURE\*  
R - RTU OPEN  
U - ULTRA LOW LEAK

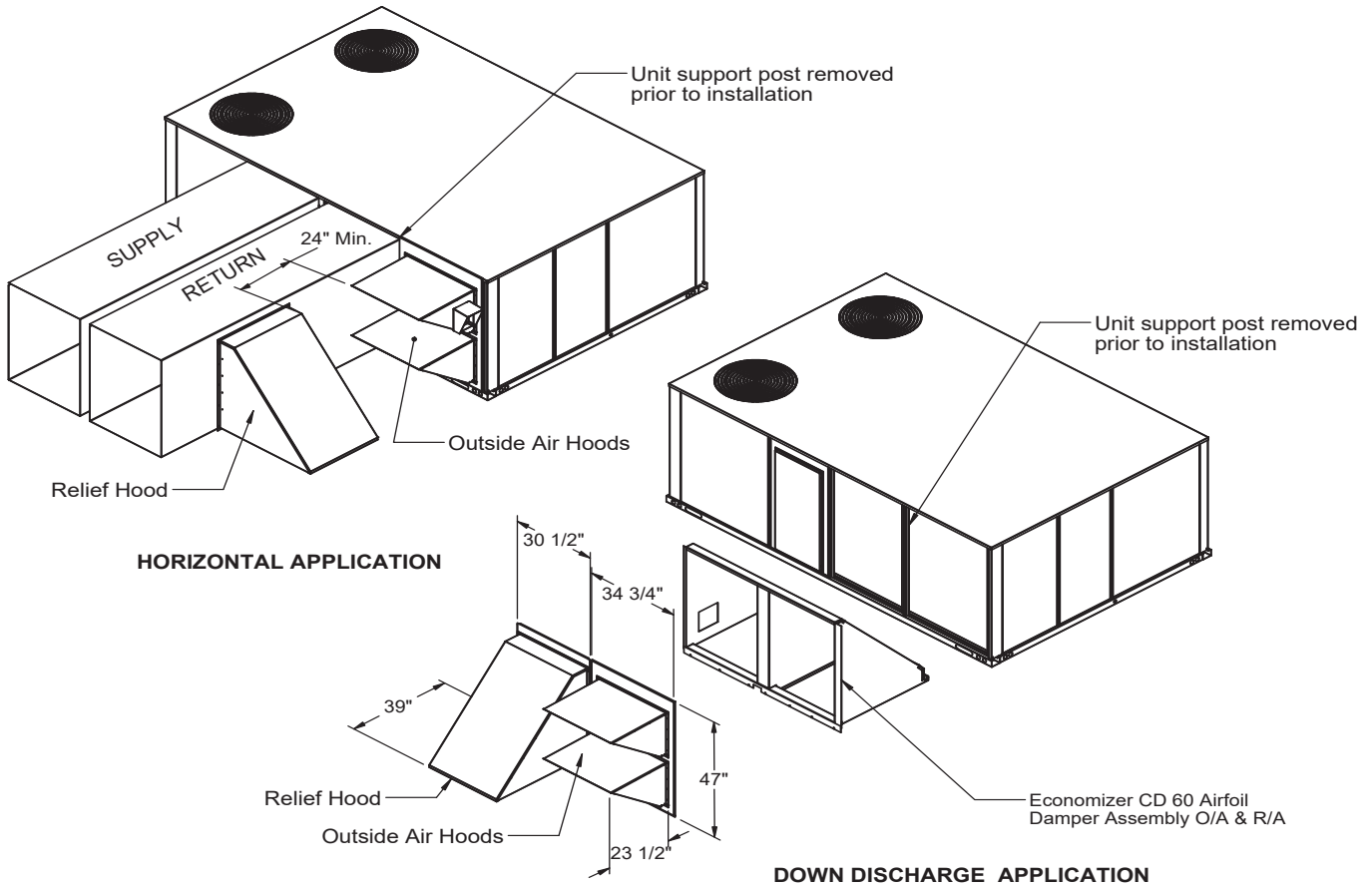
Note: By adding option "D" any powered exhaust will be modulating.

SUB-0027

iAIRE LLC | 2100 Consulate Drive Suite 102, Orlando, FL 32837  
www.myultrapure.com | Toll Free 844-348-9168

PD 09/25/21 V.01.00

# SLL Convertible Submittal



**Electrical Data**

PART #	WEIGHT
EC-SLL-CBA0-*	235 lbs.

PART	AMPS	PART	AMPS	TOTAL
ACTUATOR	.29A	CONTROLS	.27A	.56A

*OPTIONS
0 - No Options
B - Humidity/Enthalpic
C - BACNet

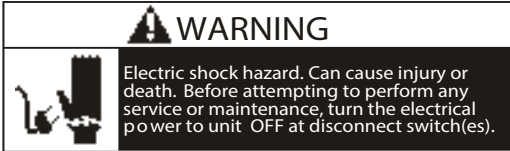
**Features**

- **iAIRE Patented Controls Scheme Included**
- Convertible for horizontal and vertical applications
- Low Leak Damper Included
- VOC, CO2 and Ionization included
- Heavy Gauge Galvanized Steel Construction
- American Sterling Grey Paint Finish
- One Piece Assembly
- Gear Driven Dampers
- Uses HVAC Unit Filter Access Door
- Capable of Relieving up to 100% of the Outside Air Intake

Economizers with Indoor Air Quality control are Title 24 compliant by meeting section 120.2(i) for the required controls and the efficiency requirements in 140.4(e). They also meet California ozone emissions requirements to be CARB certified.

## SLL 15 to 25 Ton Unit - Convertible Install

### Before Starting Installation



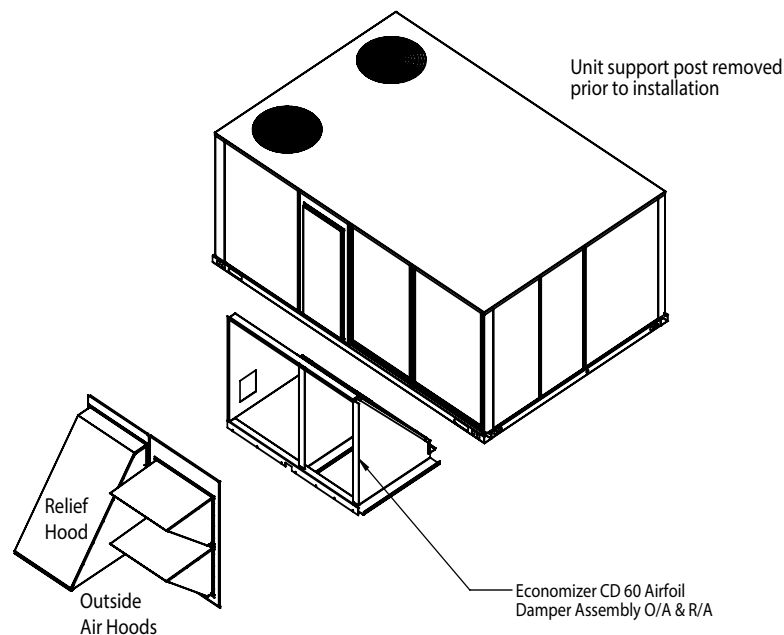
PARTS INCLUDED	QTY.
Male Wire Connectors	2

Only qualified HVAC service personnel should install, troubleshoot, repair or service HVAC and related HVAC equipment.

### Installation Instructions

1. Turn power off to unit being serviced or worked on.
2. Remove horizontal duct panels and filter access panel, saving unit screws for securing economizer hoods. Also, remove filters from unit. This will make economizer easier to install. Filters will be put back at conclusion of economizer installation.
3. Remove the center support post as shown in the drawing ILL.
4. Slide economizer into unit as shown making sure to lift the front bottom flange into place. Position should be flush with panel. Prepunched holes will align with the two screw holes removed from previous step. Use these screws to secure economizer.

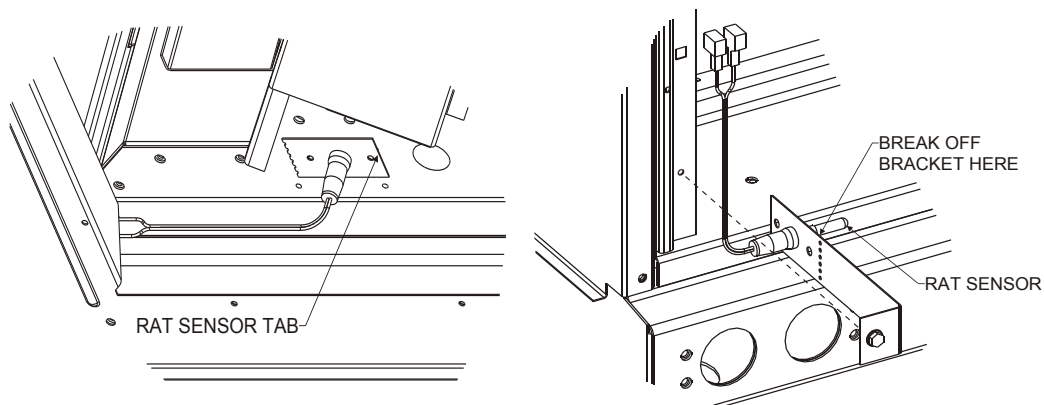
ILL. 1



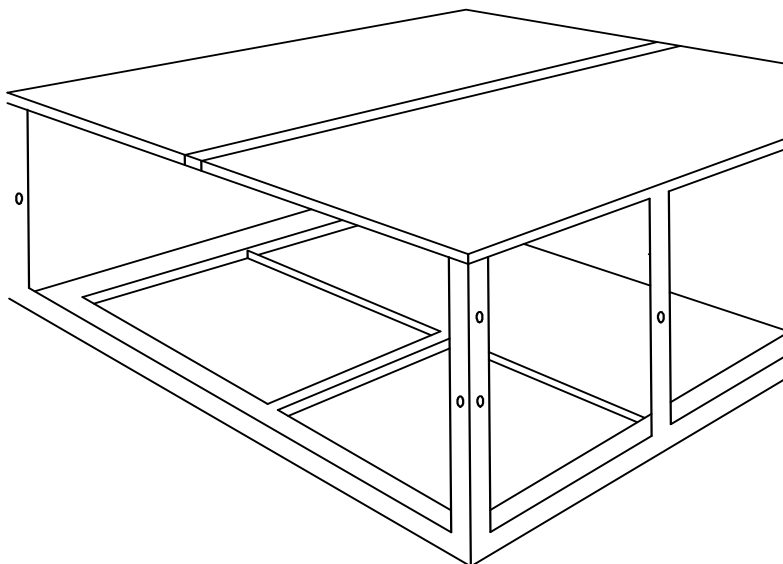
## SLL 15 to 25 Ton Unit - Convertible Install (cont'd)

5. Remove RAT sensor and bracket. ILL. 2 ( if required)
6. Break off RAT sensor from part of bracket. ILL. 2 (if required)
7. Secure RAT sensor with screws provided with the economizer on the R/A compartment of the economizer as shown below. (if required)
8. Locate the harness in the return compartment with brown wire 845 and red wire 846. Connect this harness into the "24V-IN" connections on the economizer controller. Locate the harness in the return compartment with the black wire 840, white wire 841, and the red wire 842. Connect this harness to the "SA BUS" connections on the economizer controller. Refer to the unit wiring diagram.
9. With screws from the duct panel removed previously, install hoods provided with the economizer. The outside air hood with metal filter is mounted on the right side.
10. For horizontal return duct designed systems, relief hood needs to be positioned on return duct.
11. For wiring information refer to page 8 in IOM-0014.

ILL. 2



ILL. 3



## York Economizer Install Notes

### Additional Notes

1. Power Supply. Provide disconnect means and overload protection as required.
2. Motor Spring>Returns closed when unit is not running.
3. Ensure that equipment transformer is sized to handle the extra load of the economizer and actuator.
4. When using a heat with defrost feedback, add an isolation relay between O and C. (Field provided and installed).