



**TRANE VOY1525
VERTICAL
ECONOMIZERS
I/O/M MANUAL**

Table of Contents

Trane Economizer Description.....	3
VOY1525 Vertical Submittal.....	4
VOY1525 Vertical Install.....	5
Additional Install Notes.....	7

**For information on iAIRE’s Economizer Controls Package,
please refer to IOM-0014**

Trane Economizer Description

PLEASE NOTE: Our economizer is a low leak, field installed economizer with the iAIRE patented controls packages and actuator, allowing you to reduce the amount of outside air needed from your rooftop HVAC system by up to 2/3 and will improve indoor air quality.

This reduction in system operation creates on-going utility savings. Payback on capital equipment costs with an iAIRE economizer can be realized in fewer than three years. These packages are designed to work directly on existing rooftop HVAC systems.

These economizers are all low leak and meet the IECC 2015 requirement and are Title 24 compliant by meeting section 120.2(i) for the required controls and the efficiency requirements in 140.4(e).

Unit to RTU Conversion

VOY1525	TCD, TCH, TFD, TFH, YCD, YCH, YFD, YFH 151-300, WCD, WCH, WFD, WFH, WSD, WSH 150, 180 TSD, TSH 180F-300F/180G-300G, THD, YHD, THH, YHH, 150F/150G, GWSD, GWSH 150E-180E, 240E
VOY1525HE	TCD, TCH, TFD, TFH, YCD, Y CH, YFD, YFH 181-301 WCD, WCH, WFD, WFH, WSD, WSH 240 THD, YHD, THH, YHH 180F-300F/180G-300G TZH, TZD, YZH, YZD 150F-210F, 150G-210G, GWSD, GWSH 150E-180E, 240E

Part Number

EC - 1 - 2 3 4 5 - 6

type	unit/ton (1)							
EC - ECONOMIZER	26 712 1525 3050	6075 100 125 150	CHAS12 CHAS34 CHAS5 CHAS69	A-BOX B-BOX C-BOX D-BOX E-BOX F-BOX Lennox	FND35 PACK13 PREC35 PREC48 PREC610	PREC810 VOY12 VOY12HE VOY1525HE	AFF LXS LXL SCS12 SCS34 SCSHE12 SCSHE34 SCL12	SCL34 SCLHE12 SCLHE34 PRED PREDS SL SLL SLU
	Controls Only		Carrier		Trane			York

configuration (2)

0 - NO ECON
C - CONVERTIBLE
H - HORIZONTAL
V - VERTICAL

actuator (3)

0 - NO ACTUATOR
A - 20 IN-LB
B - 62 IN-LB
C - 160 IN-LB

controls (4)

0 - ECON ONLY
A - IAQ
B - IAQ (NO IONIZATION)
D - DCV

power exhaust (5)

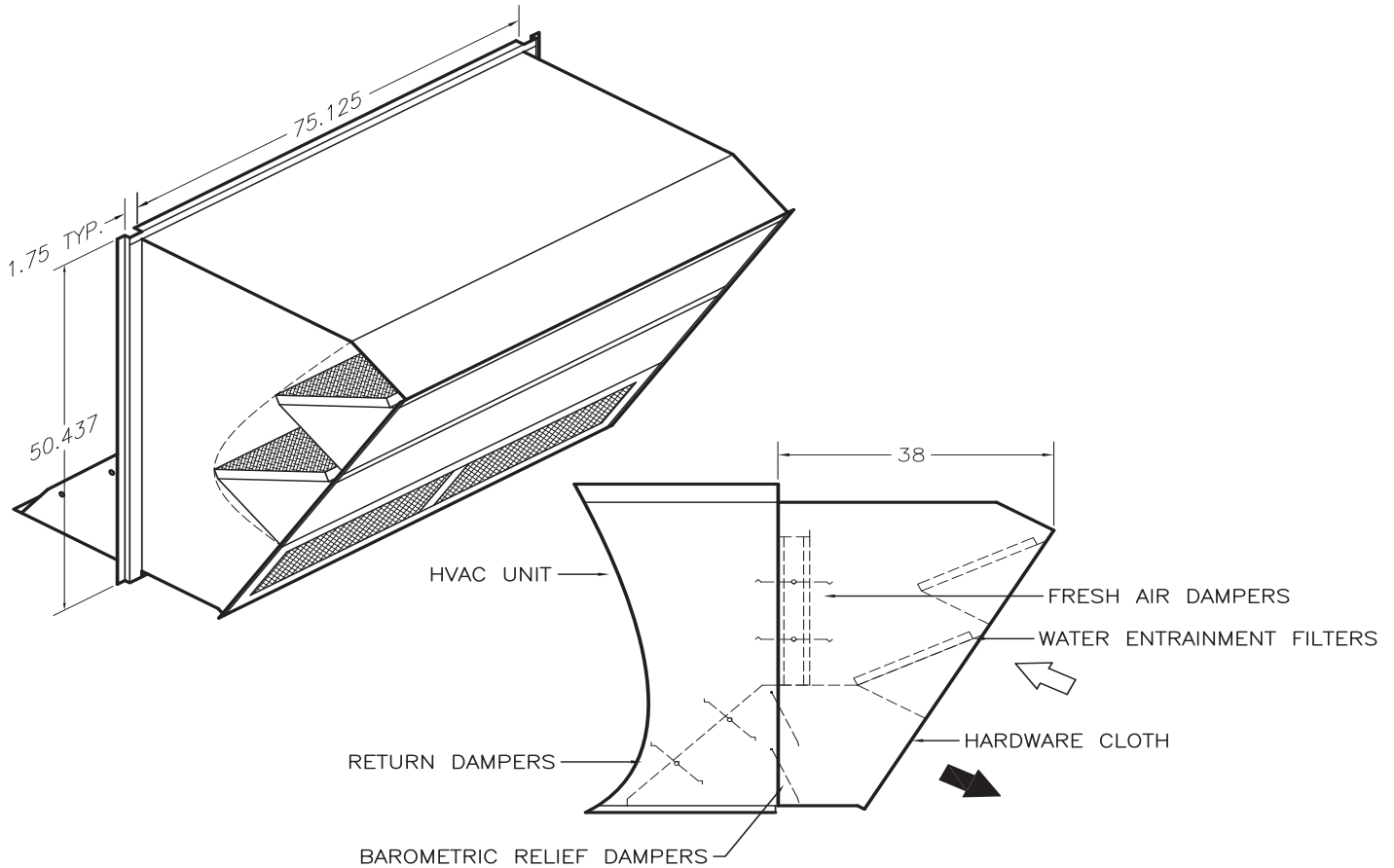
0 - NO POWER EXHAUST
A - 208/230V 1Φ FIXED PE
B - 208/230V 3Φ FIXED PE
C - 460V 3Φ FIXED PE

options (6)

0 - NONE
B - HUMIDITY
C - BACNET
D - BLDG PRESSURE*
R - RTU OPEN
U - ULTRA LOW LEAK

Note: By adding option "D" any powered exhaust will be modulating.

VOY1525 Vertical Submittal



Electrical Data

PART #	WEIGHT
EC-VOY1525-VBA0-*	410 lbs.

PART	AMPS	PART	AMPS	TOTAL
ACTUATOR	.29A	CONTROLS	.27A	.56A

*OPTIONS
0 - No Options
B - Humidity/Enthalpic
C - BACNet

Features

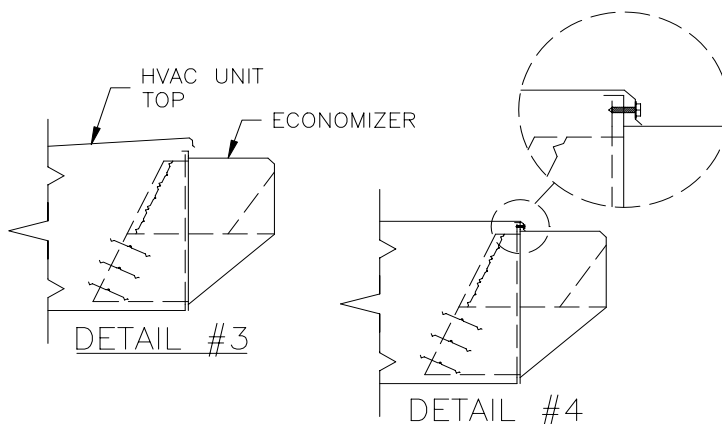
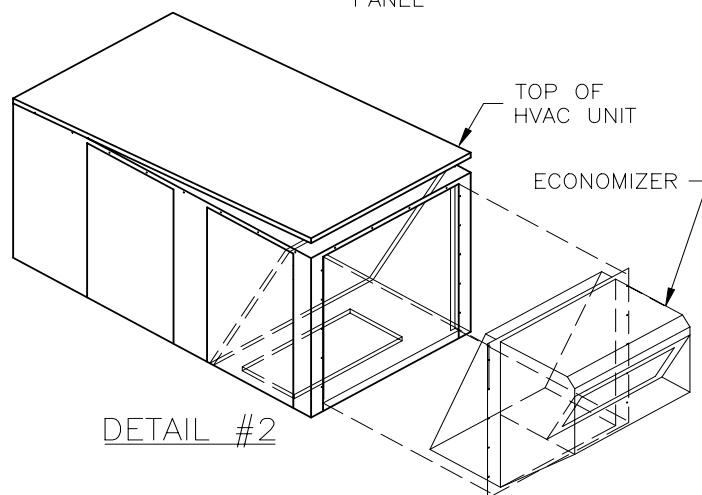
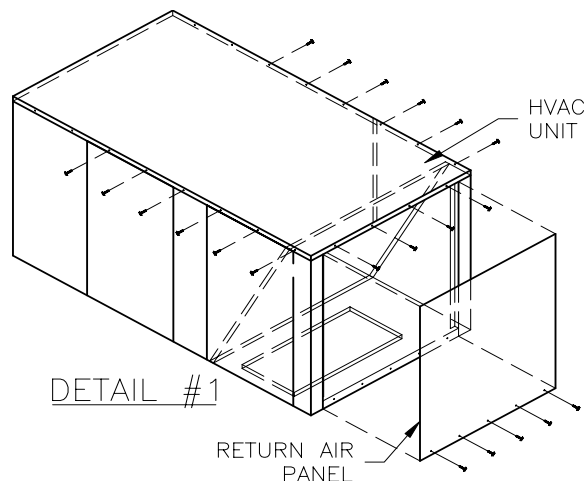
- **iAIRE Patented Controls Scheme Included**
- Low Leak Damper Included
- VOC, CO2 and Ionization included
- Heavy Gauge Galvanized Steel Construction
- American Sterling Grey Paint Finish
- One Piece Assembly
- Gear Driven Dampers
- Uses HVAC Unit Filter Access Door
- Capable of Relieving up to 100% of the Outside Air Intake

Economizers with Indoor Air Quality control are Title 24 compliant by meeting section 120.2(i) for the required controls and the efficiency requirements in 140.4(e). They also meet California ozone emissions requirements to be CARB certified.

VOY1525 - Vertical Install

DOWN DISCHARGE ECONOMIZER INSTALLATION INSTRUCTIONS

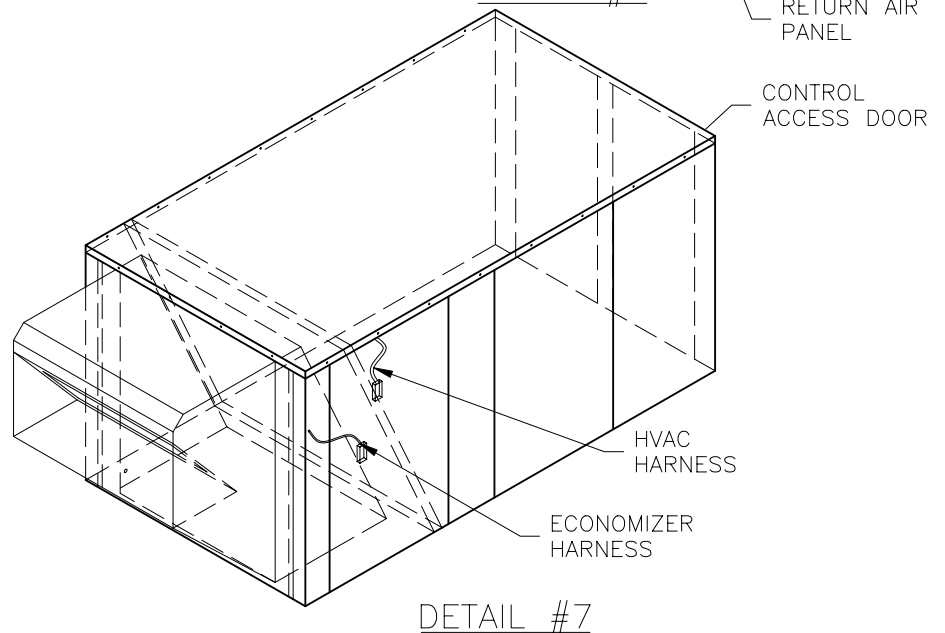
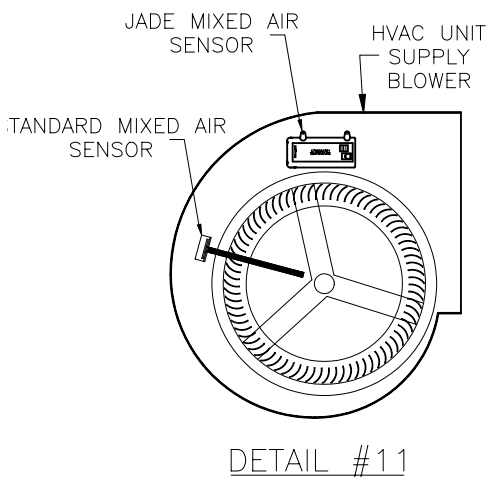
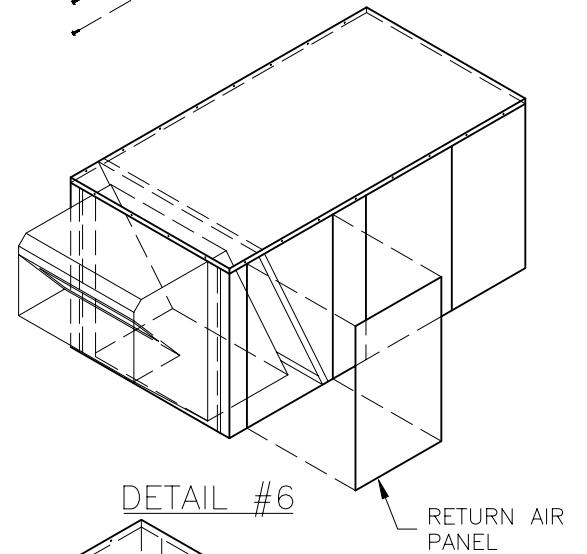
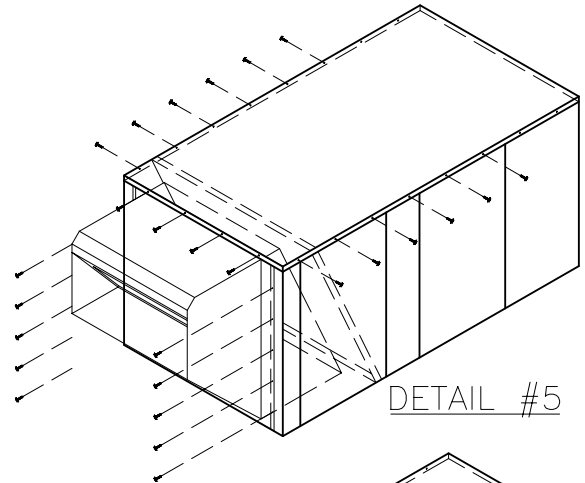
- 1 – REMOVE RETURN AIR COMPARTMENT PANEL FROM BACK OF HVAC UNIT.(SEE DETAIL #1)
- 2 – REMOVE SCREWS ON BACK OF HVAC UNIT HOLDING TOP OF HVAC UNIT DOWN. ALSO REMOVE SCREWS ABOUT HALF-WAY DOWN BOTH SIDES OF HVAC UNIT TOP. (SEE DETAIL #1)
- 3 – LIFT TOP OF THE HVAC UNIT AND PROP UP WITH SUPPORTS, 2” SPACING REQUIRED. (SEE DETAIL #2)
- 4 – WHEN USING THE BELIMO ACTUATOR OPTION, CONSULT CONTROLS CONTRACTOR REGARDING THE ECONOMIZER WIRING REQUIREMENTS.
- 5 – SLIDE ECONOMIZER ASSEMBLY INTO THE HVAC UNIT. MAKE SURE THE LEFT AND RIGHT SIDE FLANGES OF THE ECONOMIZER SLIDE INTO THE SIDE GROOVES OF THE HVAC UNIT. (SEE DETAIL DRAWING #2 & #3)
- 6 – REMOVE SUPPORTS USED TO PROP THE TOP OF THE HVAC UNIT. SUPPORTS USED FROM STEP #3. NOTE: THE TOP OF HVAC UNIT HOOKS OVER THE TOP FLANGE OF ECONOMIZER (SEE DETAIL #4)
- 7 – SECURE TOP OF THE ECONOMIZER TO THE HVAC UNIT BY USING SCREWS REMOVED IN STEP #2. ALSO SCREW ALONG THE SIDE FLANGES OF THE ECONOMIZER USING #12 X 1 SCREWS PROVIDED WITH ECONOMIZER PACKAGE. (SEE DETAIL #5)



VOY1525 - Vertical Install (cont'd)

DOWN DISCHARGE ECONOMIZER INSTALLATION INSTRUCTIONS

- 8 – REPLACE ALL SCREWS ALONG THE SIDES OF THE TOP OF THE HVAC UNIT, REMOVED IN STEP #2. (SEE DETAIL #5)
- 9 – REMOVE RETURN AIR COMPARTMENT PANEL LOCATED ON THE RIGHT SIDE OF HVAC UNIT. (SEE DETAIL #6)
- 10 – PLUG ECONOMIZER HARNESS INTO THE HVAC UNIT ECONOMIZER HARNESS. NOTE: HARNESS WILL BE INSIDE UPPER CORNER OF RETURN AIR COMPARTMENT. (SEE DETAIL #7)
- 11 – REMOVE THE DISCHARGE AIR SENSOR FROM THE SHIPPING LOCATION BEHIND THE WATER ENTRAINMENT FILTER ON THE ECONOMIZER AND MOUNT IT IN THE HVAC UNIT SUPPLY FAN COMPARTMENT NEXT TO THE FAN INLET.



Trane Economizer Install Notes

Additional Notes

1. Power Supply. Provide disconnect means and overload protection as required.
2. Motor Spring>Returns closed when unit is not running.
3. Ensure that equipment transformer is sized to handle the extra load of the economizer and actuator.
4. When using a heat with defrost feedback, add an isolation relay between O and C. (Field provided and installed).