



**CARRIER CHAS34
HORIZONTAL
ECONOMIZERS
I/O/M MANUAL**

Table of Contents

Carrier Economizer Description.....	3
Chassis 3 & Chassis 4 Horizontal Submittal	4
Chassis 3 & Chassis 4 Horizontal Install	5
Additional Install Notes.....	6

**For information on iAIRE’s Economizer Controls Package,
please refer to IOM-0014**

Carrier Economizer Description

PLEASE NOTE: Our economizer is a low leak, field installed economizer with the iAIRE patented controls packages and actuator, allowing you to reduce the amount of outside air needed from your rooftop HVAC system by up to 2/3 and will improve indoor air quality.

This reduction in system operation creates on-going utility savings. Payback on capital equipment costs with an iAIRE economizer can be realized in fewer than three years. These packages are designed to work directly on existing rooftop HVAC systems.

These economizers are all low leak and meet the IECC 2015 requirement and are Title 24 compliant by meeting section 120.2(i) for the required controls and the efficiency requirements in 140.4(e).

CHAS to RTU Conversion			
CHAS34	<table style="width: 100%; border: none;"> <tr> <td style="width: 50%; vertical-align: top; padding-right: 20px;"> CHAS3: 48/50TC 08; 48/50HC 07; 50HCQ07; 48/50 TJ,TF,TM 008-009; 48/50 HJ 008 </td> <td style="width: 50%; vertical-align: top;"> CHAS4: 48/50LC 07; 48/50HC 08-12; 48/50HCQ 08-09; 48/50TC 09-14; 50TCQ 08-12; 48/50 TJ,TF,TM 012-014; 48/50 HJ 009-014 </td> </tr> </table>	CHAS3: 48/50TC 08; 48/50HC 07; 50HCQ07; 48/50 TJ,TF,TM 008-009; 48/50 HJ 008	CHAS4: 48/50LC 07; 48/50HC 08-12; 48/50HCQ 08-09; 48/50TC 09-14; 50TCQ 08-12; 48/50 TJ,TF,TM 012-014; 48/50 HJ 009-014
CHAS3: 48/50TC 08; 48/50HC 07; 50HCQ07; 48/50 TJ,TF,TM 008-009; 48/50 HJ 008	CHAS4: 48/50LC 07; 48/50HC 08-12; 48/50HCQ 08-09; 48/50TC 09-14; 50TCQ 08-12; 48/50 TJ,TF,TM 012-014; 48/50 HJ 009-014		

Part Number

EC - 1 - 2 3 4 5 - 6

type	unit/ton (1)							
EC - ECONOMIZER	26	6075	CHAS12	A-BOX	FND35	PREC810	AFF	SCL34
	712	100	CHAS34	B-BOX	PACK13	VOY12	LXS	SCLHE12
	1525	125	CHAS5	C-BOX	PREC35	VOY12HE	LXL	SCLHE34
	3050	150	CHAS69	D-BOX	PREC48	VOY1525HE	SCS12	PRED
				E-BOX	PREC610		SCS34	PREDS
				F-BOX			SCSHE12	SL
				Lennox		Trane	SCSHE34	SLL
							SCL12	SLU
								York

configuration (2)
0 - NO ECON C - CONVERTIBLE H - HORIZONTAL V - VERTICAL

actuator (3)
0 - NO ACTUATOR A - 20 IN-LB B - 62 IN-LB C - 160 IN-LB

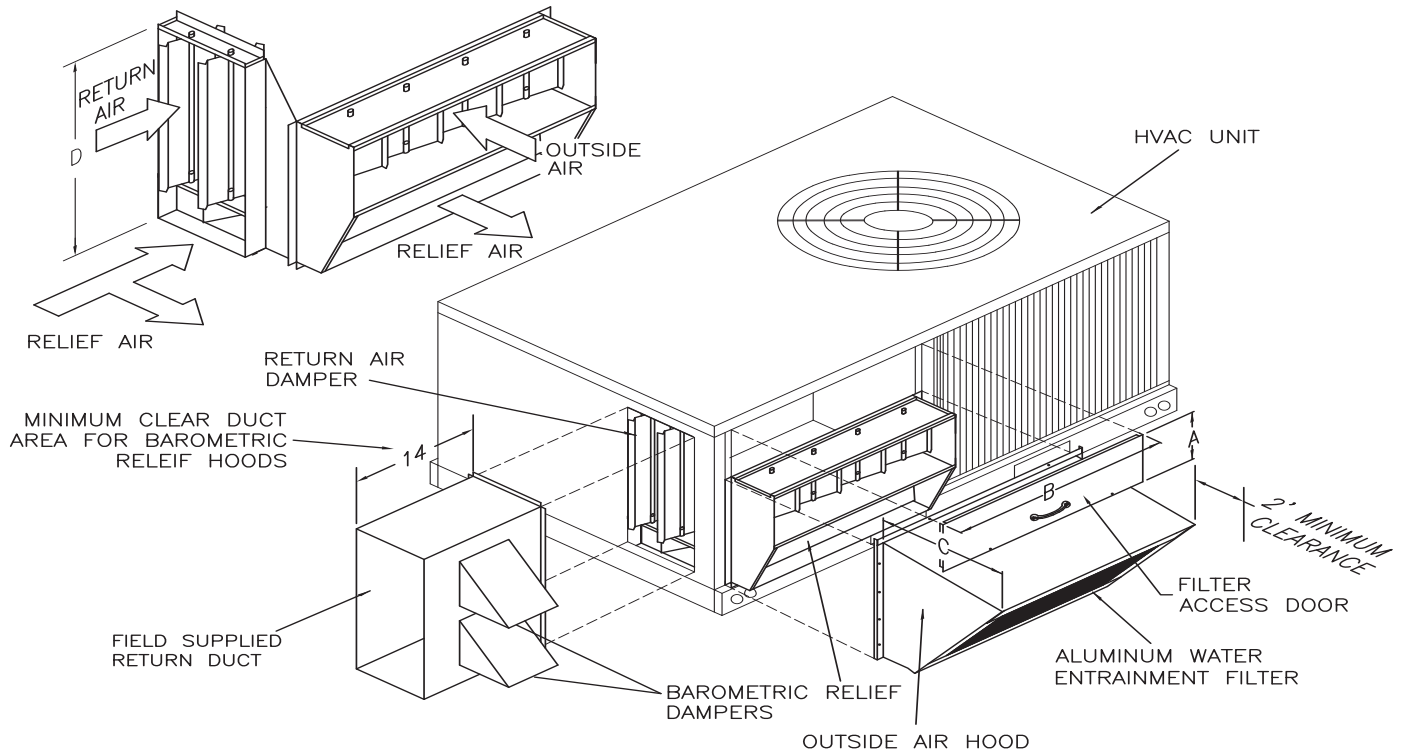
controls (4)
0 - ECON ONLY A - IAQ B - IAQ (NO IONIZATION) D - DCV

power exhaust (5)
0 - NO POWER EXHAUST A - 208/230V 1Φ FIXED PE B - 208/230V 3Φ FIXED PE C - 460V 3Φ FIXED PE

options (6)
0 - NONE B - HUMIDITY C - BACNET D - BLDG PRESSURE* R - RTU OPEN U - ULTRA LOW LEAK

Note: By adding option "D" any powered exhaust will be modulating.

Chassis 3 & Chassis 4 Horizontal Submittal



Dimensions

PART #	A	B	C	D	Relief Hood	Weight
EC-CHAS34-HBA0-*	10.5 or 18.5"	38.5"	18.25"	33.625"	2 - 10 x 10	150 lbs.

EC-CHAS34-HBA0-*

CFM	SP IN WG
4000	.47
3500	.38
3000	.28
2500	.20
2200	.17

Electrical Data

PART	AMPS	PART	AMPS	TOTAL
ACTUATOR	.29A	CONTROLS	.44A	.73A

*OPTIONS
0 - No Options
B - Humidity/Enthalpic
C - BACNet

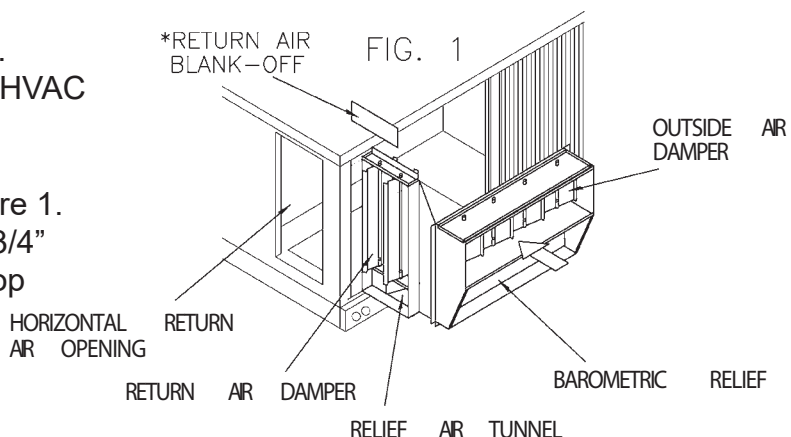
Features

- **iAIRE Patented Controls Scheme Included**
- Low Leak Damper Included
- VOC, CO2 and Ionization included
- Heavy Gauge Galvanized Steel Construction
- American Sterling Grey Paint Finish
- One Piece Assembly
- Gear Driven Dampers
- Uses HVAC Unit Filter Access Door
- Capable of Relieving up to 100% of the Outside Air Intake

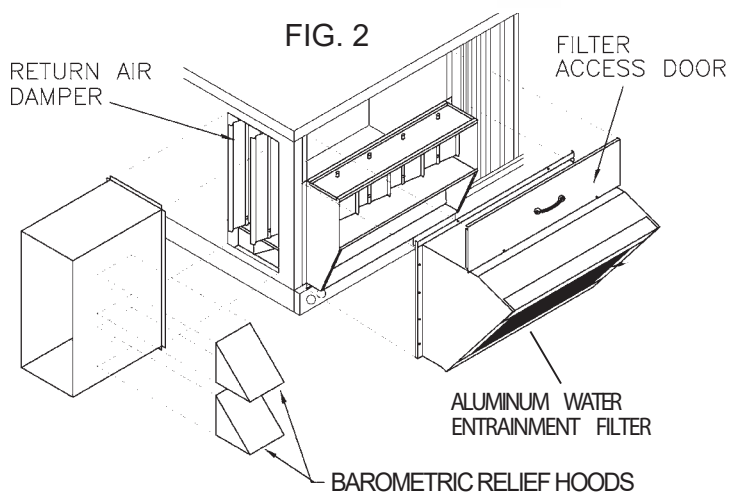
Economizers with Indoor Air Quality control are Title 24 compliant by meeting section 120.2(i) for the required controls and the efficiency requirements in 140.4(e). They also meet California ozone emissions requirements to be CARB certified.

Chassis 3 & Chassis 4 - Horizontal Install

- Carefully remove the economizer from box.
- Remove filter access panel with door from HVAC unit.
- Remove filter(s).
- Slide economizer into unit as shown in figure 1.
 - Note:** EC-CHAS5-H**0-*, a 12-5/8" x 2-3/4" 18ga blank-off must be screwed over the top splitter of the return air damper frame before sliding in the economizer. Use two 10x1/2" TEK screws.

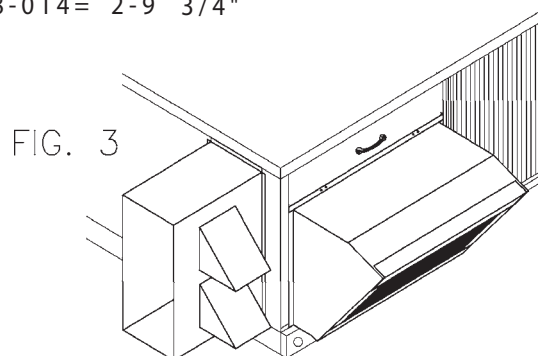


- The return air damper will slide horizontally through the opening and all the way to the left.
- Fasten with screws into the unit.
- Test cycle the economizer and make any necessary adjustment.
- Horizontally install the field supplied duct over the opening. Screw in place and seal.
- Cut openings in the return duct for the two barometric relief hoods. Fasten the hoods to the duct as required. See FIG. 2
 - EC-CHAS12-H**0-* = QTY (2) 7-3/4" x 7-3/4"
 - EC-CHAS34-H**0-* = QTY (2) 9-3/4" x 9-3/4"
 - EC-CHAS5-H**0-* = QTY (2) 11-3/4" x 11-3/4"



- Install the outside air hood over the outside air damper opening. Align the pre-punched holes to the ones on the unit and fasten in place.
- Replace the outside air filter(s) back into the unit.
- Install the filter access door up and under the top of the unit and over the top of the flange of the outside air hood. Fasten. Two filter access doors are supplied to accommodate different unit heights. Discard the unused door. See FIG. 3
- Refer to page 5 in IOM-0014 Economizer Controls Installation Manual for installation of the various sensors and actuators. Connect wires according to the wiring diagram on pg 8.

OPENING	SIZES
004-007	= 2-7 3/4" X 7 3/4"
008-014	= 2-9 3/4"



Carrier Economizer Install Notes

Additional Notes

1. Motor Spring>Returns closed when unit is not running.
2. Ensure that equipment transformer is sized to handle the extra load of the economizer and actuator.
3. When using a heat with defrost feedback, add an isolation relay between O and C. (Field provided and installed).