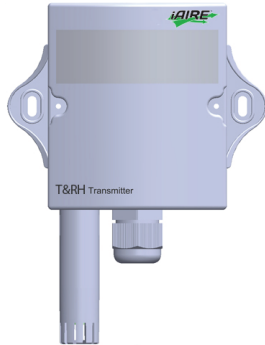




# Product Data

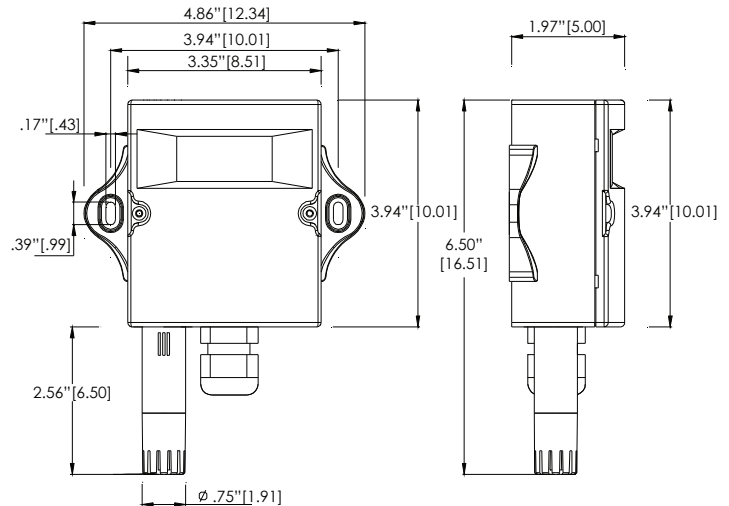
## SEN-0053 | Duct Temp/Humidity Sensor



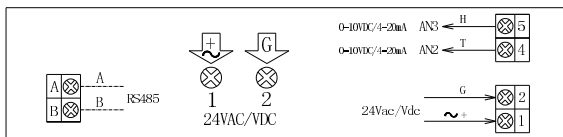
### Product Application

- High end HVAC
- Clean Rooms
- Green Houses
- Stocks
- Ability to determine enthalpy in HVAC system.
- Other locations needing to measure temperature and humidity.

### Product Dimensions (inches [cm])



### Wiring Diagram



### Technical Data

	Temperature	Relative Humidity
Power Supply	24 VDC/24V AC $\pm 20\%$	
Power Consumption	$\leq 1.6W$	
Accuracy	$\pm 0.4^{\circ}C$ ( $0^{\circ}C \sim 50^{\circ}C$ )	$\pm 3\%RH$ (20%-80%RH)
Measuring range	$0^{\circ}C \sim 50^{\circ}C$ ( $32^{\circ}F \sim 122^{\circ}F$ ) (default)	0-100%RH
Stability	$\pm 0.1^{\circ}C$	$\pm 1\%RH$ per year
Longtime storage environment	$10^{\circ}C - 50^{\circ}C$	20%RH $\sim$ 60%RH
Output	2x0~10VDC (default) or 2x4~20mA(selectable by jumpers) 2x0~5VDC (selected when order is placed)	
RS485 interface (optional)	Modbus RS485 interface	
Permissible load	Max. 500 $\Omega$ (4~20mA)	
Connection	Screw terminals / wire diameter: 1.5mm <sup>2</sup>	
Housing/Protection class	PC/ABS fireproof material / IP30	
Dimension	3.35 in x 3.94in x 1.97in (external probe) x $\phi$ 0.75in	
Net weight	.62lb	