



SEN-0001 INSTALL

READ THESE INSTRUCTIONS BEFORE YOU BEGIN INSTALLATION

INSTALLATION

The **iAIRE** Humidity sensor is a versatile product and can be mounted to any standard wall. The unit is designed to transmit relative humidity and temperature measurements.

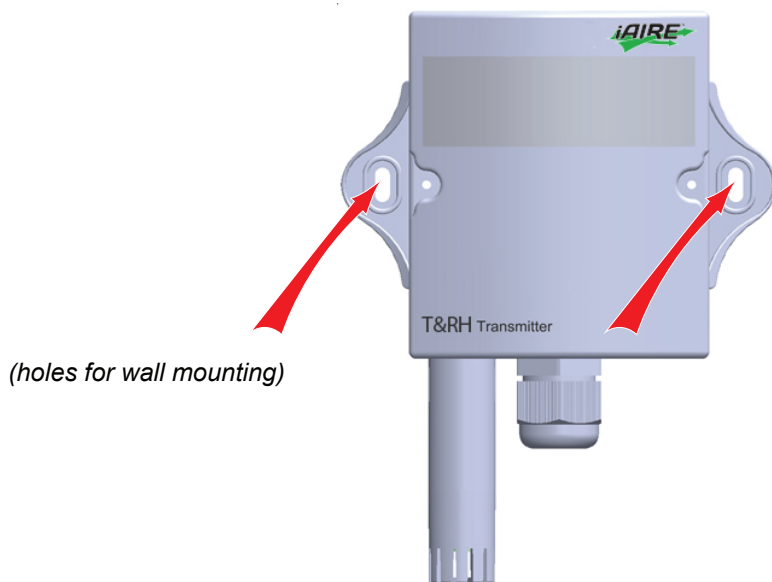
MOUNTING

Find a suitable location on the wall to mount the sensor.

⚠ (It is recommended when mounting on a wall to secure the unit using drywall anchors or to wall studs directly.)

Using screws, mount the sensor to the wall ensuring it is secure.

(Unit should be mounted vertically so that product labels are facing up)



(holes for wall mounting)

WIRING

⚠ (Be sure to follow all local and electrical codes. Turn off power to the unit before mounting or making any connections.)

- 2x0~10VDC (default) or 2x4~20mA(selectable by jumpers)
- 2x0~5VDC (selected when order is placed)

To change the output, follow steps below:

- Power off and remove the face cover, you can see a set of short-circuit block jumpers S1-S4 in the middle of the PCB board. When you block the top two pins of the S1-S4, the analog output is voltage output. Blocking the lower two pins sets analog output.

- There is a set of short circuit block jumpers J1-J3 in the top of the PCB board. Connecting or disconnecting the J1 will switch between 0-10V and 4-20mA outputs.

