

READ THESE INSTRUCTIONS BEFORE YOU BEGIN INSTALLATION

INSTALLATION

The **iAIRE** ceiling grid ionization air purifier can be installed to clean spaces up to 9,000 ft³.

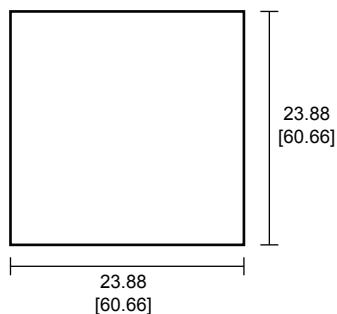
MOUNTING

Find a suitable location to mount the ceiling grid air purifier. The optimal location for mounting is within a Tee bar ceiling system.

Mount the ceiling grid air purifier by creating a rough opening (opening dimensions should be 23.88 in x 23.88 in) [figure 1.1]. The air purifier should rest on the Tee bar suspended by hanger wires. [figure 1.2].

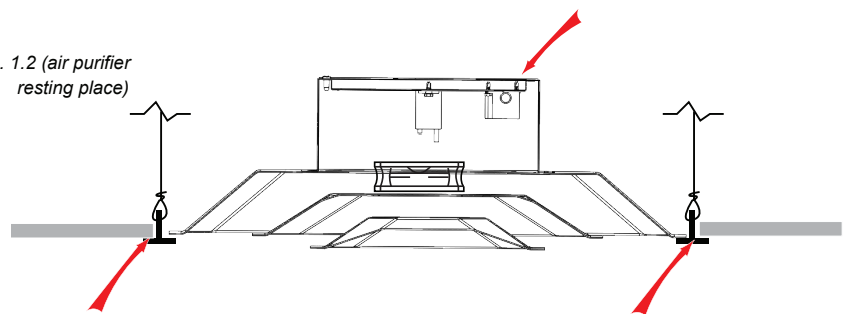
⚠ (It is recommended when mounting in the ceiling to check the weight rating of the Tee bar system to ensure the diffuser will not overload the system.)

fig. 1.1 (ceiling opening inches [cm])



Note: Cover bracket allows pigtail wires to run out side or top.

fig. 1.2 (air purifier resting place)



WIRING

PRODUCT ACCEPTS 115 / 208 / 230 / 277 VAC 1Ø POWER. Check part # on label for actual voltage.

⚠ (Be sure to follow all local and electrical codes. Turn off power to the unit before mounting or making any connections.)

ION-AA*0*	
VOLTAGE:	FAN:
D - 115VAC, 1φ	1 - Size 1
E - 208VAC, 1φ	2 - Size 2
G - 230VAC, 1φ	
J - 277VAC, 1φ	

- Verify the product will not overload the power requirement for the system before wiring.
- Check the label on the product and wire it only to the voltage range shown.
- Mount external electrical box outside of wire opening. Pull the wires from the ion device into the electrical box and wire to meet all applicable codes.
- The pigtail wiring harness can exit out of the side (shown) or top by flipping cover panel.
- Unit can be powered 24/7 but it should be interlocked to fan operation or other similar control.
- Green LED will illuminate when powered and operating.

MAINTENANCE

A small cleaning brush (GNP-0148) is included for easy, routine maintenance. This should be done as the ion brushes become dirty.