

ION-0A * 00 | Ion Generator for AHUs, Heating and AC Units

Part Number

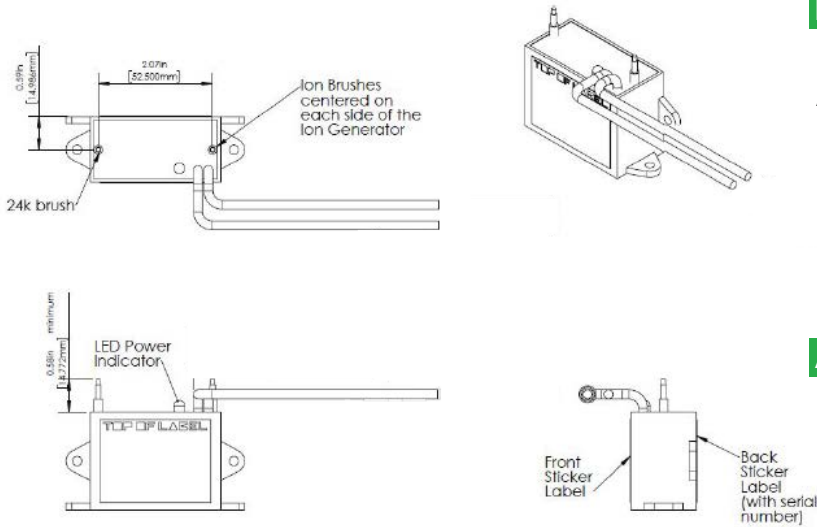
ION-0A * 00

VOLTAGE:

- A - 24VAC / VDC, 1 ϕ *
- D - 115VAC, 1 ϕ
- G - 208/230VAC, 1 ϕ

*Note: The 24V block can be utilized as a lower voltage block.

Product Dimensions (inches [cm])



UL STD 867
CSA C22.2

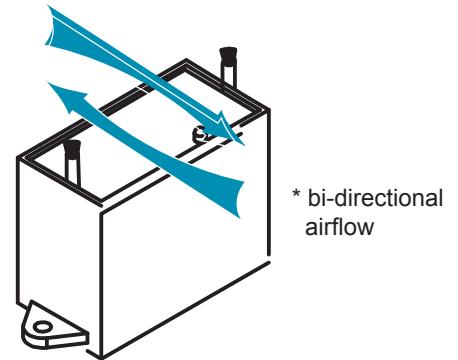


File# 101141865COL-003

Product Application

- Hospitals | Nursing Homes | Schools |
- Animal Feeding and Processing Plants |
- Shopping Malls | Laboratories | Veterinary Offices |
- Restaurants and Food Preparation Areas | Zoos |
- Casinos | Convention Centers and Arenas | Jails |
- Museums | Health Clubs | Churches and Synagogues

Airflow



Technical Data

Part #	ION-0AA00	ION-0AD00	ION-0AG00	ION-0AA00*	
Power Supply	24V	115V	208/230V	12V	5V
Power Consumption	4W	1.8W	0.7W	0.7W	0.15W
Output Voltage	+/- 7.0kV			+/- 3.5kV	+/- 1.5kV
Ion Count (Per Polarity)	> 155 Million ions			> 110 Million ions	> 50 Million ions
Weight	.5 lbs (.25 kg)				
Power Wiring Leads	35 inches in length				
Mounting	Self tapping metal screws				
Dimensions	3.16" x 1.16" x 2.27"				
CFM	2,500 CFM				
Vibration Protection	If vibration of block occurs, 1/2" double sided foam tape (GNP-0176) can be used				