

ION-DA * 00-XX | Duct Ion Generator

Part Number

ION-DA * 00-XX

VOLTAGE:

A - 24VAC / VDC, 1 ϕ
G - 208/230VAC, 1 ϕ

ION BRUSH LENGTH:

XX=XX" (inches)

UL STD 867

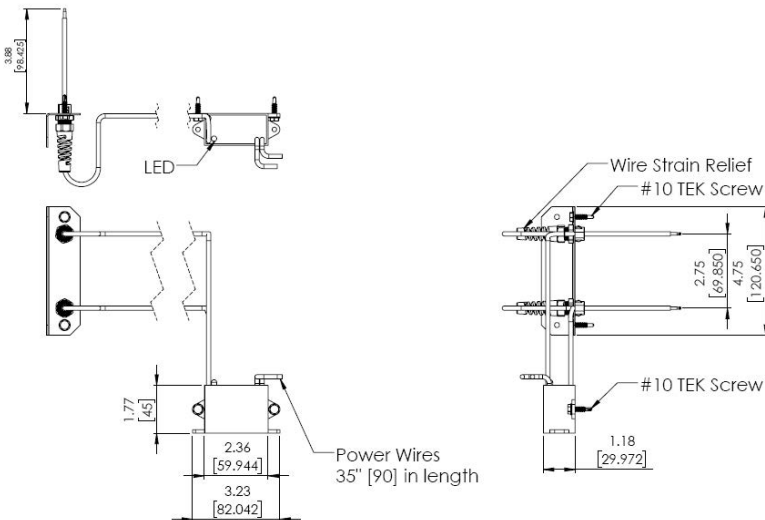
STD C22.2



File# 101141865COL-003

*Note: The 24V block can be utilized as a lower voltage block.

Product Dimensions (inches [cm])

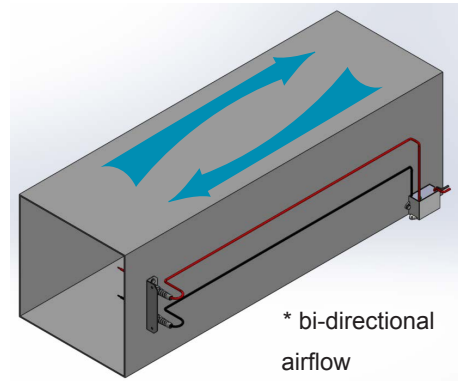


*Note: 78% made in America

*Note: If vibration of block occurs, 1/2" double sided foam tape (GNP-0176) can be used

Product Application

Hospitals | Nursing Homes | Schools |
Animal Feeding and Processing Plants |
Shopping Malls | Laboratories | Veterinary Offices |
Restaurants and Food Preparation Areas | Zoos |
Casinos | Convention Centers and Arenas | Jails |
Museums | Health Clubs | Churches and Synagogues



* bi-directional airflow

Technical Data

Part #	ION-DAA00-XX	ION-DAG00-XX	ION-DAA00-XX	
Power Supply	24V	208/230V	12V	5V
Power Consumption	4W	0.7W	0.7W	0.15W
Output Voltage	+/- 7.0kV		+/- 3.5kV	+/- 1.5kV
Ion Count (Per Polarity)	> 155 Million ions		> 110 Million ions	> 50 Million ions
Weight	.5 lbs (.25 kg)			
Power Wiring Leads	35 inches in length			
Mounting	Self tapping metal screws			
Dimensions	3.16" x 1.16" x 2.27"			
CFM	2,500 CFM			