

Solar HVAC | Model "Z" 3 Ton Mini-Split Residential Heat Pump

Part Number

SHMSPZ- 36 G - 5

Type (1)	BTU's (2,3)	Voltage (4)	Options (5)
P - Heat Pump	36 - 36,000 BTUs	G - 230 VAC 1 ϕ	0 - No Options D - Condenser Coil (UG) E - Mounting Kit Y - Start Up 7 - Phase Monitor

Description

A Solar HVAC mini-split is more than twice as efficient as a standard mini-split.

A solar box equipped with chambers lined with specialty reflective film is mounted to the top of the condensing unit. Through a patented process, ambient light is converted to thermal energy which reduces the energy demand on the compressor.

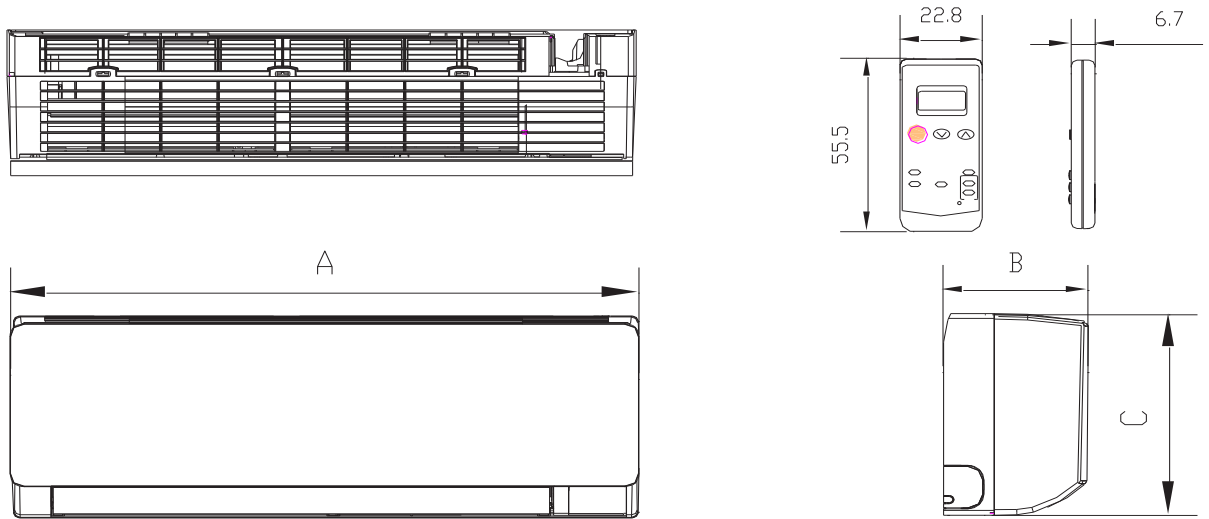
Units come with a 1-year parts warranty.



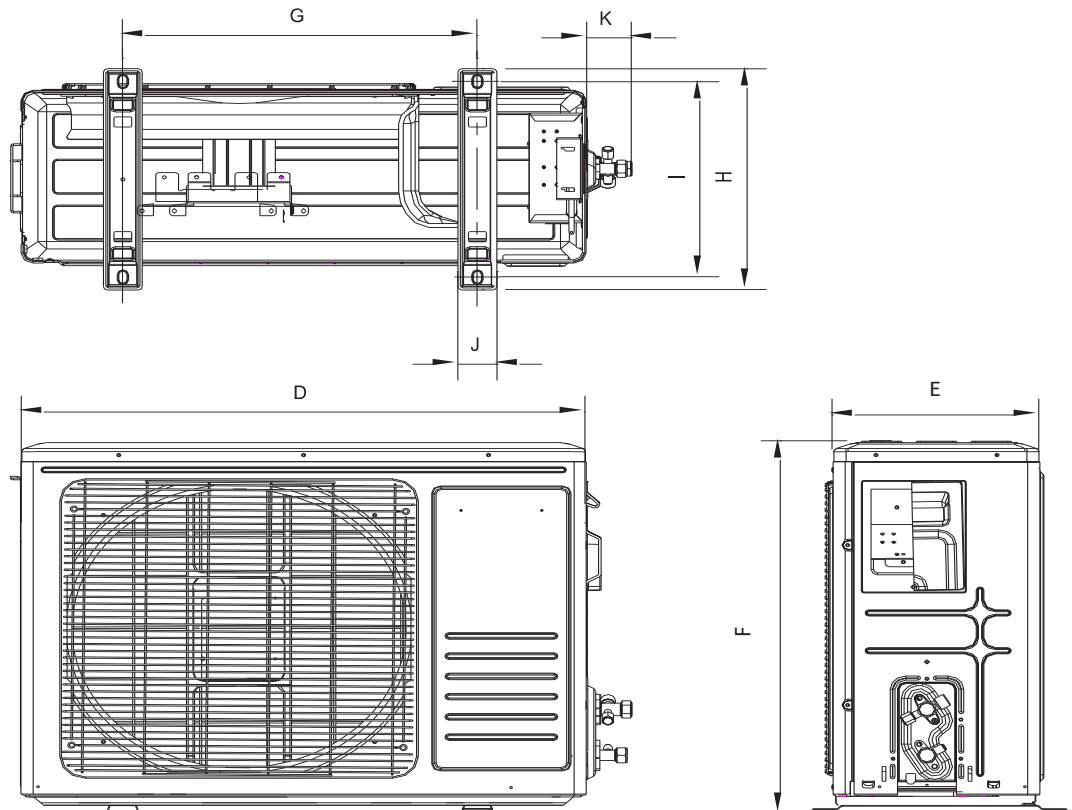
SHMSPZ-36 | Solar HVAC Mini-Split Dimensions

Model in (mm)	Indoor Unit			Outdoor Unit							
	A	B	C	D	E	F	G	H	I	J	K
SHMSxZ-36	46.93 (1192)	14.17 (360)	10.24 (260)	35.83 (910)	14.17 (360)	31.5 (800)	26.87 (683)	17.05 (433)	15.67 (398)	1.97 (50)	2.48 (63)

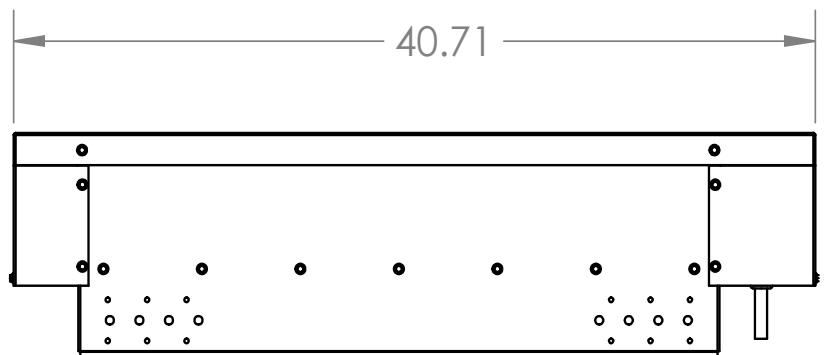
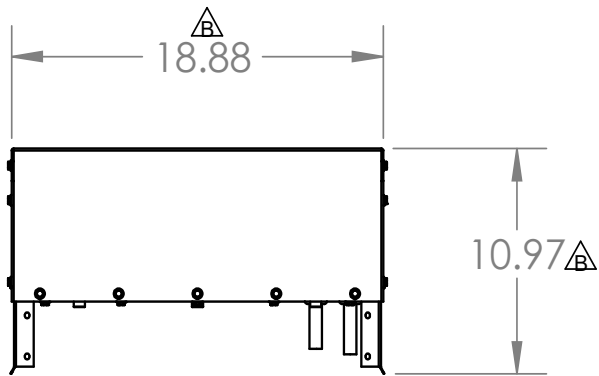
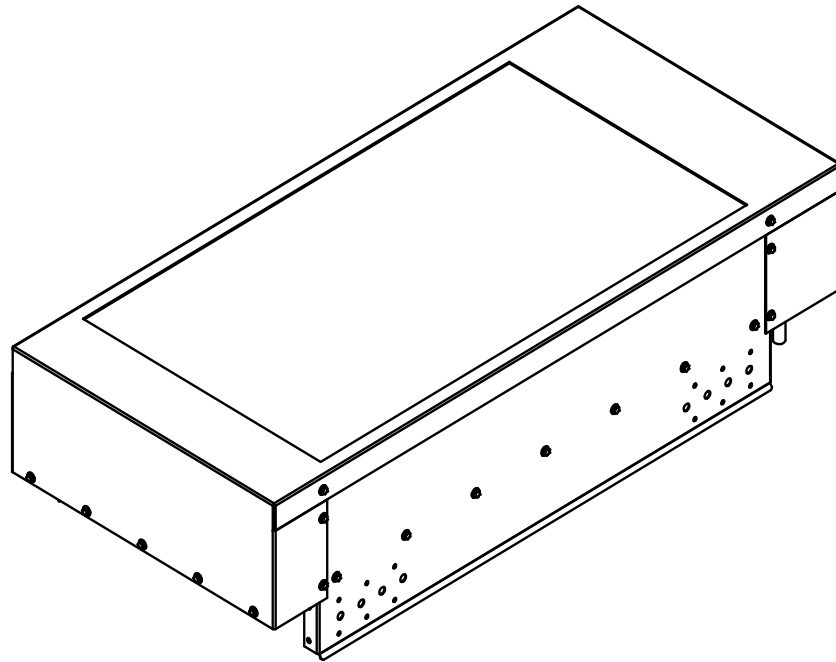
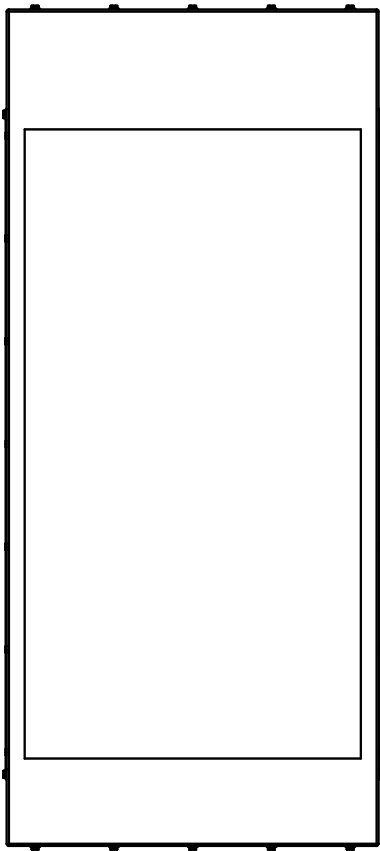
Indoor Unit:



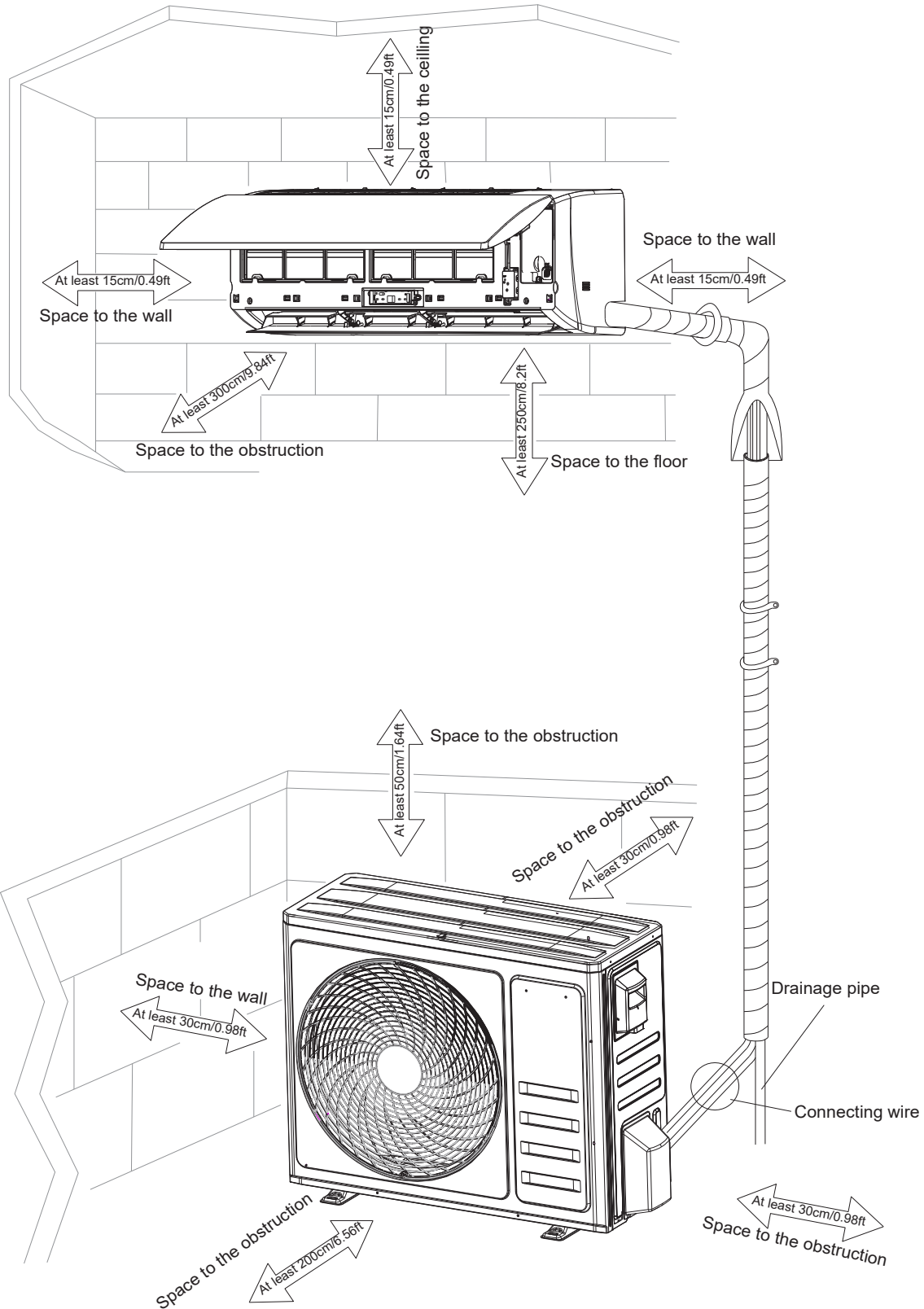
Outdoor Unit:



Solar Box Dimensions



SHMSxZ-xx | Solar HVAC Model “Z” Mini-Split Clearances





Specifications

SHMSPZ-36 | Solar HVAC Model "Z" Mini-Split Specifications

Electrical - Mechanical Specifications

Control type			remote
Power supply			208/230V~/60Hz/1P
"Rated Cooling (95F/35C)"	Rated cooling capacity (95F/35C)	Btu/h	36000
	EER2 (95F/35C)	Btu/W.h	9
	SEER2	Btu/W.h	20
Rated Heating	Rated Heating capacity(47F/8.3C)	Btu/h	36000
	HSPF2 Rating (Region IV)	Btu/W.h	8.5
	HSPF2 Rating (Region V)	Btu/W.h	7
	COP2 (47F/8.3C)	W/W	3.01
	Max. Heating capacity (5F/-15F)	W/W	21100
			59%
	COP2 (5F/-15F)	W/W	1.75
Suitable area		sq.ft	Up to 2500
Operation temperature		F	60.8~87.8
Ambinet temperature	Indoor(cooling/ heating)	F	>=62/<=86
	Outdoor(cooling/heating)	F	5~122/-4~86

*** Indoor Unit ***			
Indoor Motor	Motor Type		DC
	Output	W	45
	Speed	rpm	1150/950/800
Indoor air circulation/Hi		CFM	847/700/588

*** Outdoor Unit ***			
Outdoor Motor	Motor Type		DC
	Output	W	85

Rated Current	Cooling	A	16.5
	Heating	A	15.2
Indoor noise level at cooling	Turbo/High/Med./Low/Mute		52/49/43/38/36
Outdoor noise level		dB(A)	63
Connecting Wiring	Size x Core number		4×16AWG

Connecting Pipe	Gas	inches	5/8"
	Liquid	inches	1/4"
Maximum Line Length		(m/ft)	30 / 98
Maximum Height Difference Between Indoor and Outdoor		(m/ft)	20 / 65



Specifications

SHMSPZ-36 | Solar HVAC Model "Z" Mini-Split Specifications (cont'd)

Weight and Packing Dimensions

Net dimensions (W x D x H)	Indoor	mm	1192×360×260
		inch	46.93x14.17x10.23
	Outdoor	mm	910x360x800
		inch	35.83x14.17x31.50
	Solar Box	mm	1034.03x479.55x278.64
		inch	40.71x18.88x10.97
Net weight	Indoor	kg	18
		lbs	39.7
	Outdoor	kg	52
		lbs	114.6
	Solar Box	kg	34.09090909
		lbs	75
Indoor Packing dimensions (W x D x H)		mm	1265×435×337
		inch	49.80x17.13x13.27
"Outdoor Packing dimensions (W x D x H) (without pipe)"	Outdoor	mm	1028×480×860
		inch	40.47x18.70x33.86
	Solar Box	mm	1137.44x527.51x306.5
		inch	44.78x20.77x12.07
*Gross weight (without pipe)	Indoor	kg	22
		lbs	48.5
	Outdoor	kg	57.5
		lbs	126.8
	Solar Box	kg	37.5
		lbs	82.5

Note:

Unit should be UL 1995 listed

Unit should be OG-100 Certified to the Solar Certification on ICC901/SRCC100

Face Solar Panels south for optimal performance

*Gross = Net Weight + Shipping Box