

Solar HVAC | Model "Z" 3/4 Ton Mini-Split Residential Heat Pump

Part Number

SHMSPZ- 09 G - 5

Type (1)	BTU's (2,3)	Voltage (4)	Options (5)
P - Heat Pump	09 - 9,000 BTUs	G - 230 VAC 1Φ	0 - No Options D - Condenser Coil (UG) E - Mounting Kit Y - Start Up 7 - Phase Monitor

Description

A Solar HVAC mini-split is more than twice as efficient as a standard mini-split.

A solar box equipped with chambers lined with specialty reflective film is mounted to the top of the condensing unit. Through a patented process, ambient light is converted to thermal energy which reduces the energy demand on the compressor.

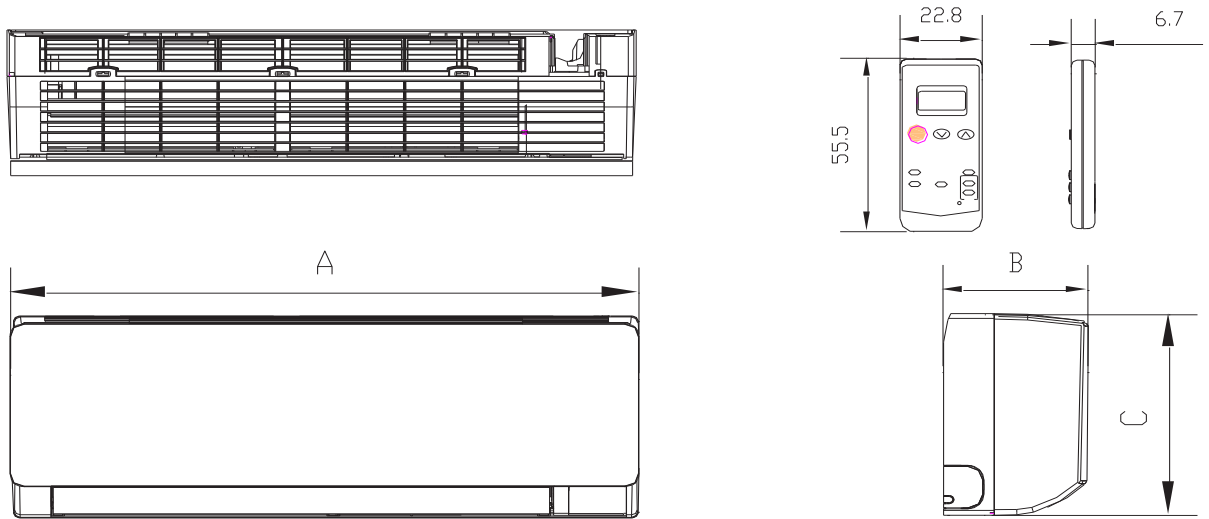
Units come with a 1-year parts warranty.



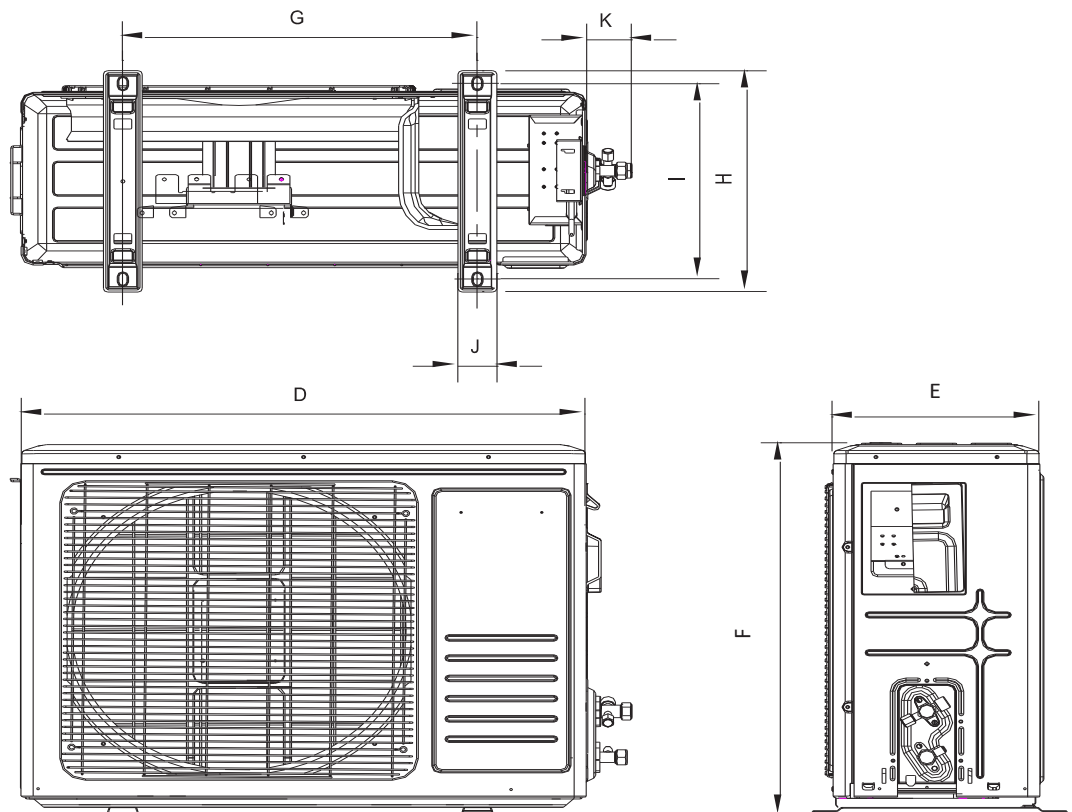
SHMSPZ-09 | Solar HVAC Mini-Split Dimensions

Model in (mm)	Indoor Unit			Outdoor Unit							
	A	B	C	D	E	F	G	H	I	J	K
SHMSxZ-09	31.93 (811)	11.5 (292)	8.07 (205)	28.15 (715)	11.42 (290)	19.61 (498)	21.11 (536)	13.73 (349)	12.62 (321)	1.97 (50)	2.48 (63)

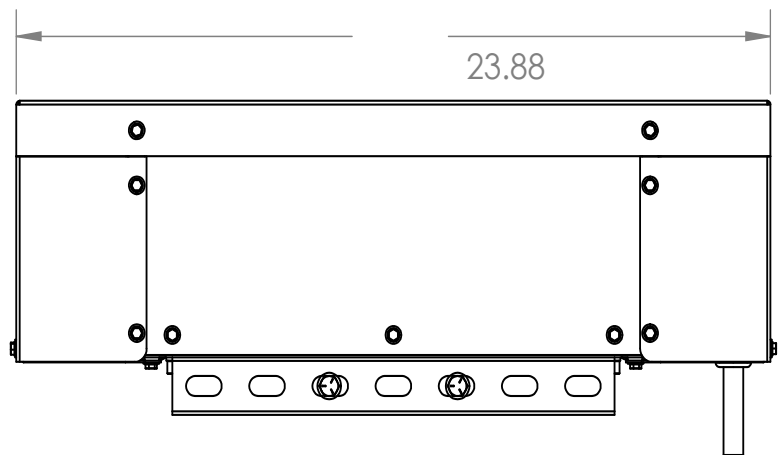
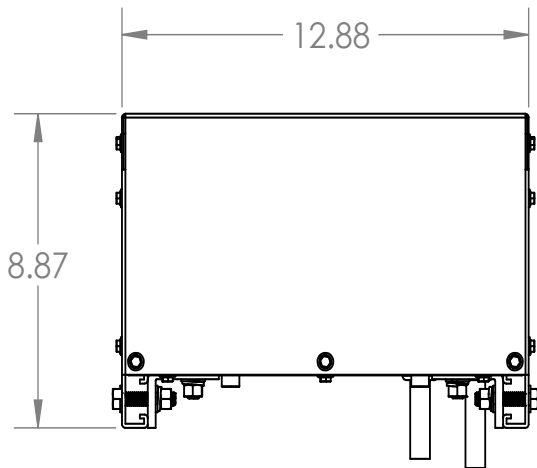
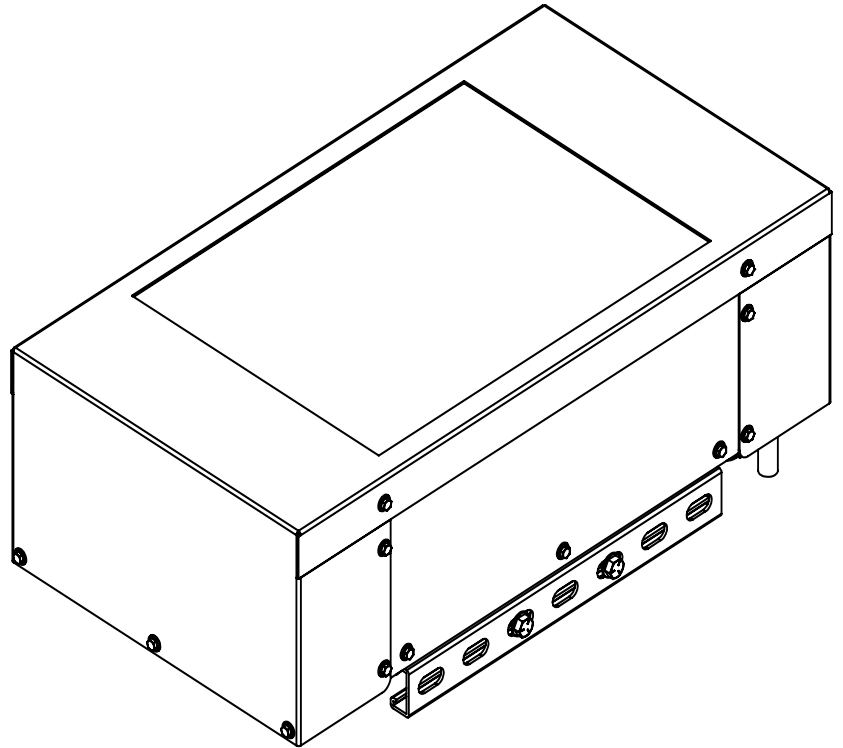
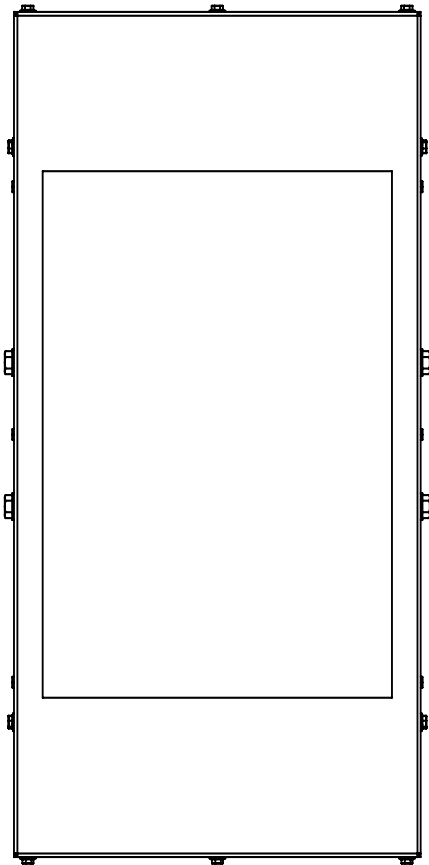
Indoor Unit:



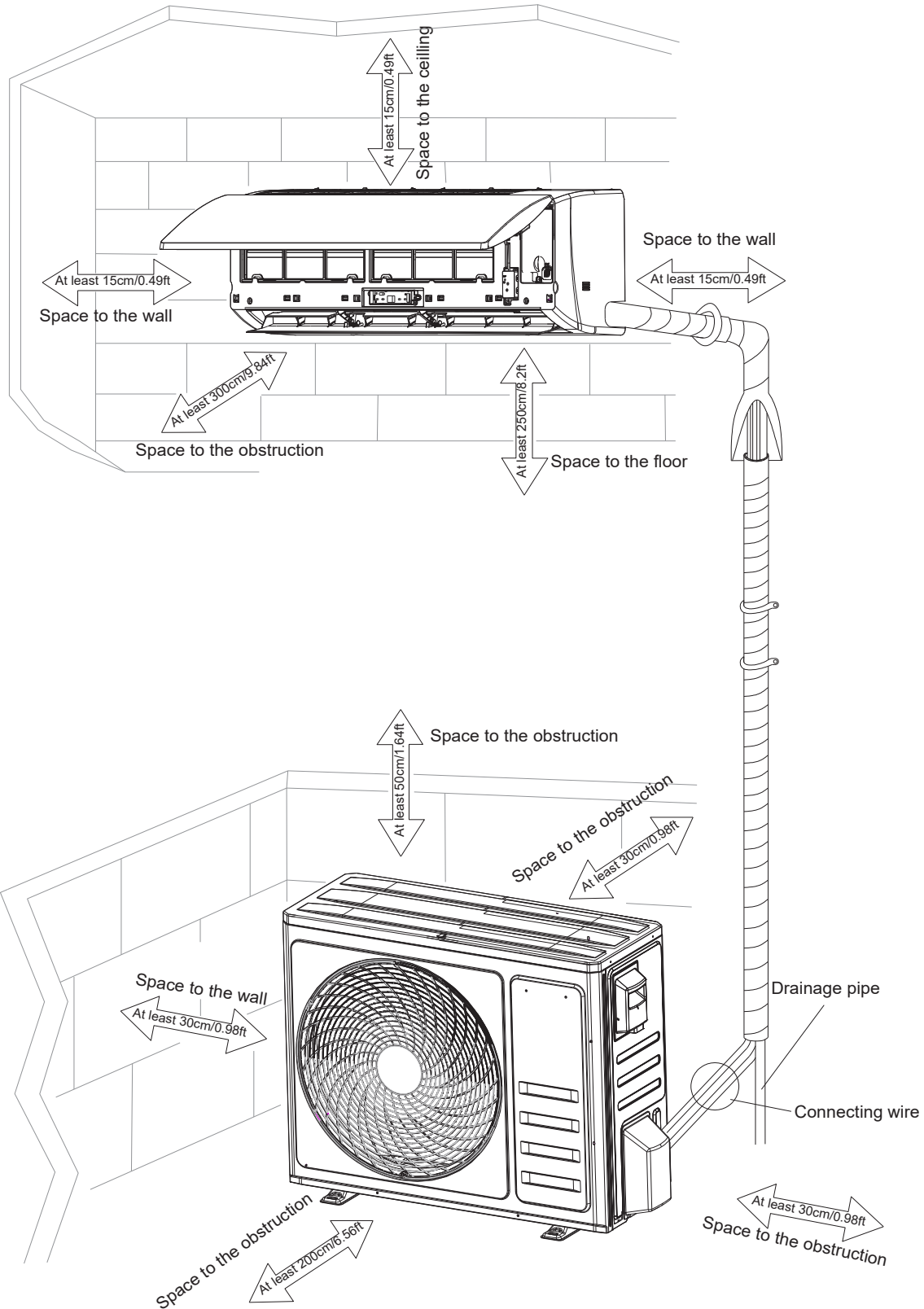
Outdoor Unit:



Solar Box Dimensions



SHMSxZ-xx | Solar HVAC Model "Z" Mini-Split Clearances





Specifications

SHMSPZ-09 | Solar HVAC Model "Z" Mini-Split Specifications

Electrical - Mechanical Specifications

Control type			remote
Power supply			208/230V~/60Hz/1P
"Rated Cooling (95F/35C)"	Rated cooling capacity (95F/35C)	Btu/h	9000
	EER2 (95F/35C)	Btu/W.h	10
	SEER2	Btu/W.h	19
Rated Heating	Rated Heating capacity(47F/8.3C)	Btu/h	10000
	HSPF2 Rating (Region IV)	Btu/W.h	8.5
	HSPF2 Rating (Region V)	Btu/W.h	7
	COP2 (47F/8.3C)	W/W	3.41
	Max. Heating capacity (5F/-15C)	W/W	7000
			0.7
	COP2 (5F/-15F)	W/W	1.75
Suitable area		sq.ft	Up to 400
Operation temperature		F	60.8~87.8
Ambinet temperature	Indoor(cooling/ heating)	F	>=62/<=86
	Outdoor(cooling/heating)	F	5~122/-4~86

*** Indoor Unit ***			
Indoor Motor	Motor Type		AC
	Output	W	23
	Speed	rpm	1200/980/850
Indoor air circulation/Hi		CFM	353/265/206

*** Outdoor Unit ***			
Outdoor Motor	Motor Type		DC
	Output	W	33

Rated Current	Cooling	A	3.7
	Heating	A	3.4
Indoor noise level at cooling	Turbo/High/Med./Low/Mute		41/39/34/29/27
Outdoor noise level		dB(A)	50
Connecting Wiring	Size x Core number		4×16AWG

Connecting Pipe	Gas	inches	3/8"
	Liquid	inches	1/4"
Maximum Line Length		(m/ft)	15 / 50
Maximum Height Difference Between Indoor and Outdoor		(m/ft)	10 / 33



Specifications

SHMSPZ-09 | Solar HVAC Model "Z" Mini-Split Specifications (cont'd)

Weight and Packing Dimensions

Net dimensions (W x D x H)	Indoor	mm	811x292x205
		inch	31.92x11.49x8.07
	Outdoor	mm	715x290x498
		inch	28.14x11.42x19.61
	Solar Box	mm	603.76x324.36x225.3
		inch	23.77x12.77x8.87
Net weight	Indoor	kg	9
		lbs	19.8
	Outdoor	kg	22
		lbs	48.5
	Solar Box	kg	11.36363636
		lbs	25
Indoor Packing dimensions (W x D x H)		mm	885x366x278
		inch	34.84x14.40x10.94
"Outdoor Packing dimensions (W x D x H) (without pipe)"	Outdoor	mm	818x325x538
		inch	32.20x12.80x21.18
	Solar Box	mm	664.13x356.79x247.83
		inch	26.15x14.05x9.76
*Gross weight (without pipe)	Indoor	kg	12
		lbs	26.5
	Outdoor	kg	24
		lbs	52.9
	Solar Box	kg	12.5
		lbs	27.5

Note:

Unit should be UL 1995 listed

Unit should be OG-100 Certified to the Solar Certification on ICC901/SRCC100

Face Solar Panels south for optimal performance

*Gross = Net Weight + Shipping Box