

Building Static Pressure Controller

Part Number

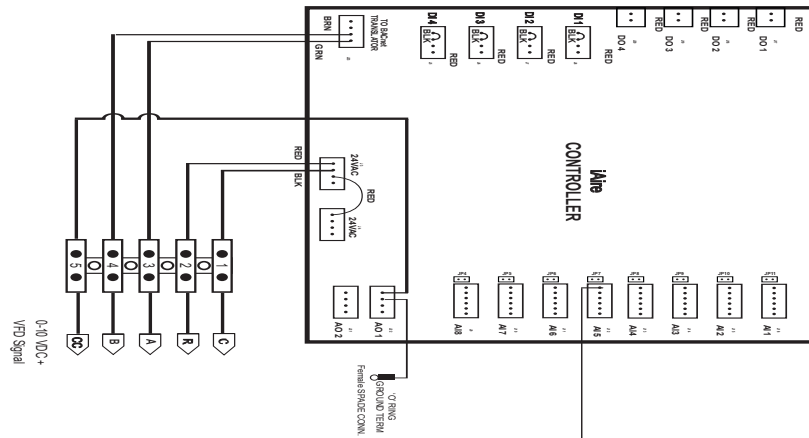
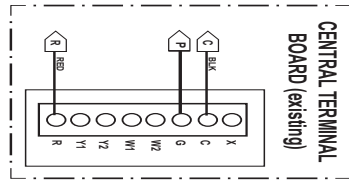
ITEM	PART #
Building Pressure Control - factory installed	CNT-BPSTATICPRESS INSTALL

Description

iAIRE installs a controller and pressure transducer in a customer provided unit at the iAIRE factory.

This system will send a signal to the supply from the VFD (not provided by iAIRE) in the customer unit to control the VFD to maintain constant building pressure.

Wiring Diagram



--- FIELD SUPPLIED WIRING
NOTE: ALL FIELD WIRING MUST BE SHIELDED CABLE OR TWISTED PAIR WITH DRAIN WIRE

TUBING PLACEMENT
HI - INSTALLED IN BUILDING OR DUCT
LO - INSTALLED INTO ATMOSPHERE

